

UK

HE-VA



Spare Parts List

Combi-Disc

Trailed 2-link models: 4,5 m - 5,5 m

Manual no. 8000501-09

27.08.24 Part 2 of 2



N. A. Christensensvej 34
DK-7900 Nykøbing Mors
Tel: 97724288
Fax: 97722112
www.he-va.com

Contents

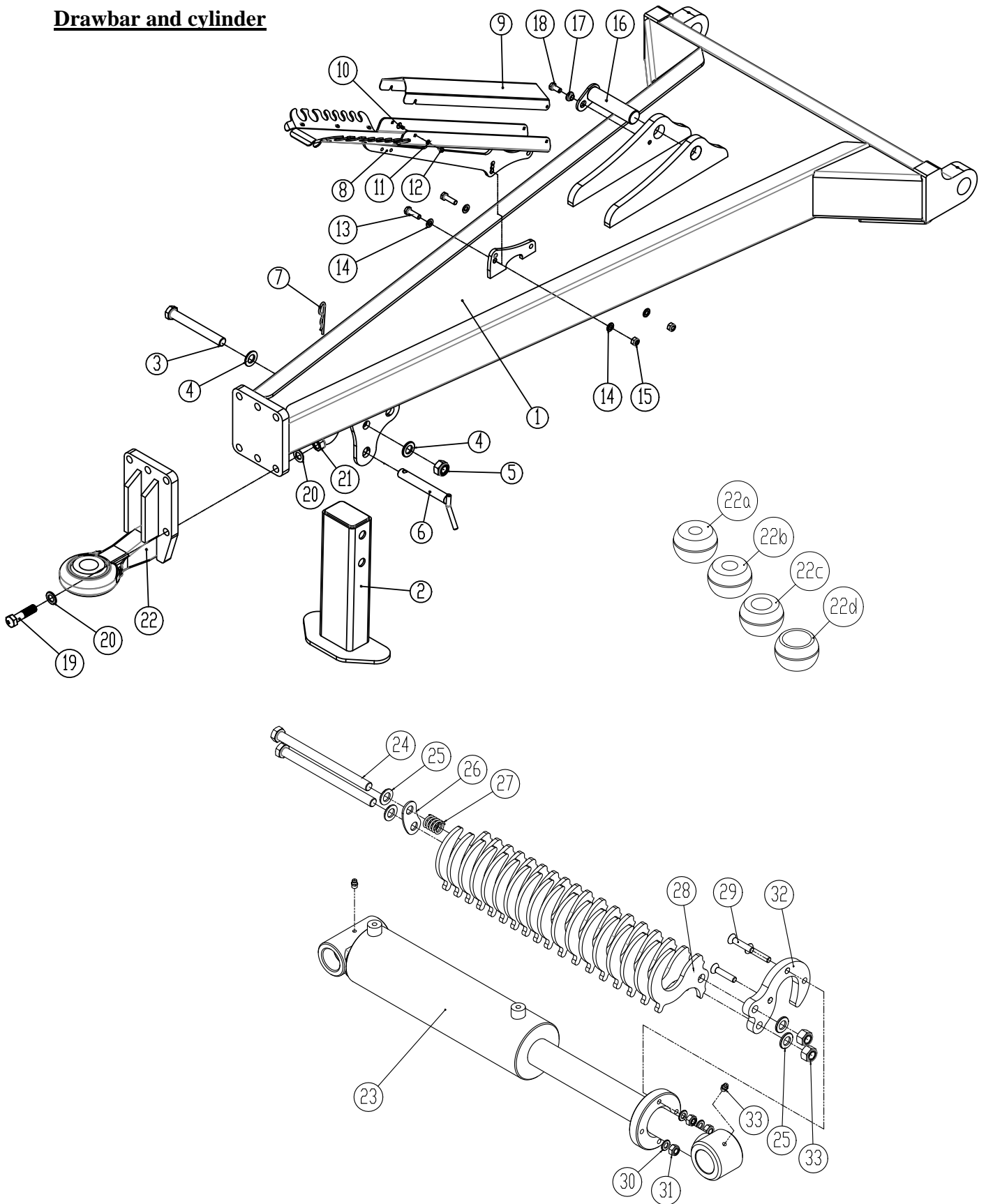
Contents	2
Spare parts list	4
Drawbar and cylinder	4
Pivoting Crossbar no. 630757077 Cat. 3 / Cat. 4 and Ball Hitch (Optional)	6
Pivoting crossbar no. 630757034 Cat. 3 (Optional)	7
Tine Quick Push with 200 mm wearing point, long and short as well as left/right model	8
Tine Quick Push w/ 120 mm Easy Draft wearing point, long/short/ left/right	10
Overview Quick Push tineholders	12
Notes.....	13
Tine hydraulic with 200 mm wearing point, long model, (short not shown).....	14
Tine hydraulic with Easy Draft 120 mm wearing point, long model.....	16
Tiller middle frame and wings.....	18
Support wheel.....	20
Spindle for support wheel.....	21
Middle frame for Disc-Roller	22
Wheel frame	24
Wings.....	26
Lock claw system	28
Single V-Profile roller – scraper – material damper guard	30
Double U/V-Profil roller – scraper – material damper guard.....	31
Rubber damped bearings and protection shield for ordinary bearings	33
U-Profile roller	34
Notes.....	35
Disc bars	36
Disc.....	38
Edge Equipment	40
Disc cutter in front of tines (additional equipment)	42
Lights.....	44
Longfinger harrow (additional equipment)	46
Electric dept stop for disc	48

Hydraulic brake	50
Pneumatic brake	51
Hydraulic	53
Tiller folding cylinders	53
Drawbar and transport wheels	54
Hydraulics for stone protection	55
Linkage	57
Folding 4,5m.....	58
Folding 5,5 m.....	59
Folding 5,5 m from machine number 355570	61
Complete hydraulic diagram folding	63
Depth controller discs 4,5 meter.....	64
Depth controller discs 5,5 meter.....	65



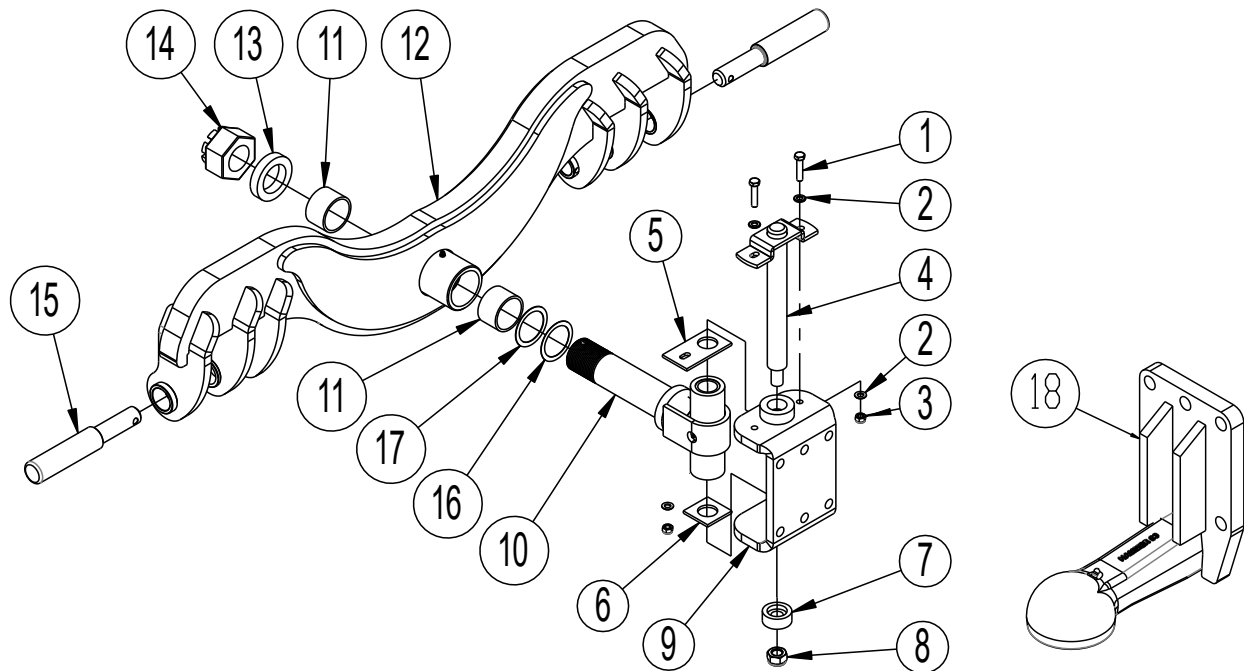
Spare parts list

Drawbar and cylinder



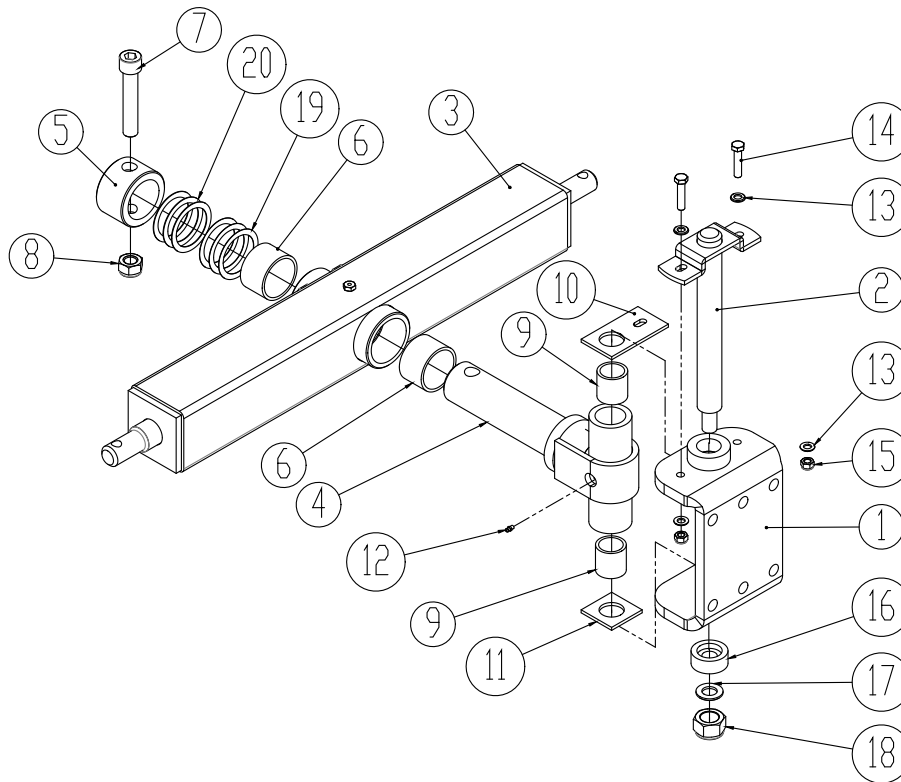
Pos.	Item no.	Designation	4,5m	5,5m
1	1285139	Drawbar	1	1
2	1285146	Support leg	1	1
3	0236500	Bolt M24x190 8.8	1	1
4	0272330	Facet washer Ø24 mm fzb	4	4
5	0264130	Self-locking nut M24, 8.8 fzb DIN985	1	1
6	69525155B	Pin Ø25 L=155	1	1
7	0377600	Hair-clip Ø6	1	1
8	7345006	Hose parking, lower part	1	1
9	7345003	Hose parking, upper part	1	1
10	0246060	Carriage bolt M6x16 8.8	4	4
11	0272240	Facet washer Ø6 mm, fzb	4	4
12	0264040	Self-locking nut M6	4	4
13	0235360	Bolt M12x40 8.8 fzb	2	2
14	0272270	Facet washer 12mm, fzb DIN 125B	4	4
15	0264070	Self-locking nut M12, fzb DIN985	2	2
16	1145304	Pin Ø40 L=160	1	1
17	630532600	Lock bushing for pin head	1	1
18	690101101	Bolt M12x25 8.8	1	1
19	690103069	Bolt M20x80 10.9	6	6
20	0272310	Facet washer Ø20 DIN125B	12	12
21	0234110	Self-locking nut M20	6	6
22	630757111	Pivotal towing eye, Kat. 4, Ø39 mm	1	1
22	630757112	Pivotal towing eye, Kat. 4, Ø51 mm	1	1
22	630757113	Pivotal towing eye, Kat. 4, Ø71 mm	1	1
22a	630757132	Ball for towing eye Ø33		
22b	630757106	Ball for towing eye Ø39		
22c	630757107	Ball for towing eye Ø51		
22d	630757108	Ball for towing eye Ø71		
23	7345057	Cylinder 100/50 - 280 ø40/ø45 complete w/distance clips	1	1
23a	690200284	Gasket set 100/50 (Hydraflex)		
23	7345174	Cylinder 110/50 - 330 ø40/ø45 w/welded stop ring From January 2021	1	1
23a	690200316	Gasket set 110/50 Laizhou		
24	0236010	Bolt M16x220 8.8 fzb	2	2
25	0272290	Facet washer Ø16 DIN125B	4	4
26	7345082	Resistans holder plate 3mm	1	1
27	0431570	Compression spring Ø3,2 x Dm 22 x Lo 50 x Nt 8	1	1
28	7345081	Adjusting plates 8 mm	18	18
29	0227852	Bolt insex. 6-kt M10x50 8.8 UH fzb DIN7991	3	3
30	0272260	Facet washer Ø10 fzb DIN125B	3	3
31	0264060	Self-locking nut M10 DIN 985	3	3
32	7345080	Mounting flange for adjusting working depth	1	1
33	0432510	Grease nipple	2	2



Pivoting Crossbar no. 630757077 Cat. 3 / Cat. 4 and Ball Hitch (Optional)


Pos.	Item no.	Designation	Pcs.
1	0235390	Bolt M12x55 mm, 8.8 fzb	2
2	0272270	Faceted washer 12 mm, fzb Din 125B	4
3	0264070	Self-locking nut M12, fzb DIN 985	2
4	1127870	Draw pin vertical, complete	1
5	1128390	Flatsteel 70x6x130, st. SB27W12CB	1
6	1127990	Flatsteel 70x6x70, st. SB27W12CB	1
7	1127900	Round-steel Ø60x25 mm, st. 50	1
8	0264130	Self-locking nut M24 DIN985	1
9	1145335	U-bracket for drawbar	1
10	630757076	Draw shaft, complete	1
11	0475450	I-Compress bushing EG Ø80/70x50mm	2
12	630757078	Drawbar 2 point	1
13	7420000	Round-steel Ø100x12mm, st. 50 (<i>OBS: There must only be used</i>	1
13	7420001	Round-steel Ø100x15mm, st. 50 <i>either no. 7420000 or no. 7420001)</i>	1
14	0262500	Castellated nut M64x4 KL6 DIN 935-1	1
15	69537273C	Round Steel E 360, st. 70-2	2
16	690140656	Shim ring Ø70/Ø90x0,5mm DIN988, no. depending on tolerences	0 - 3
17	690140654	Shim ring Ø70/Ø90x1,0mm DIN988 no. depending on tolerences	0 - 3
18	630757023	Ball Hitch Ø80	1

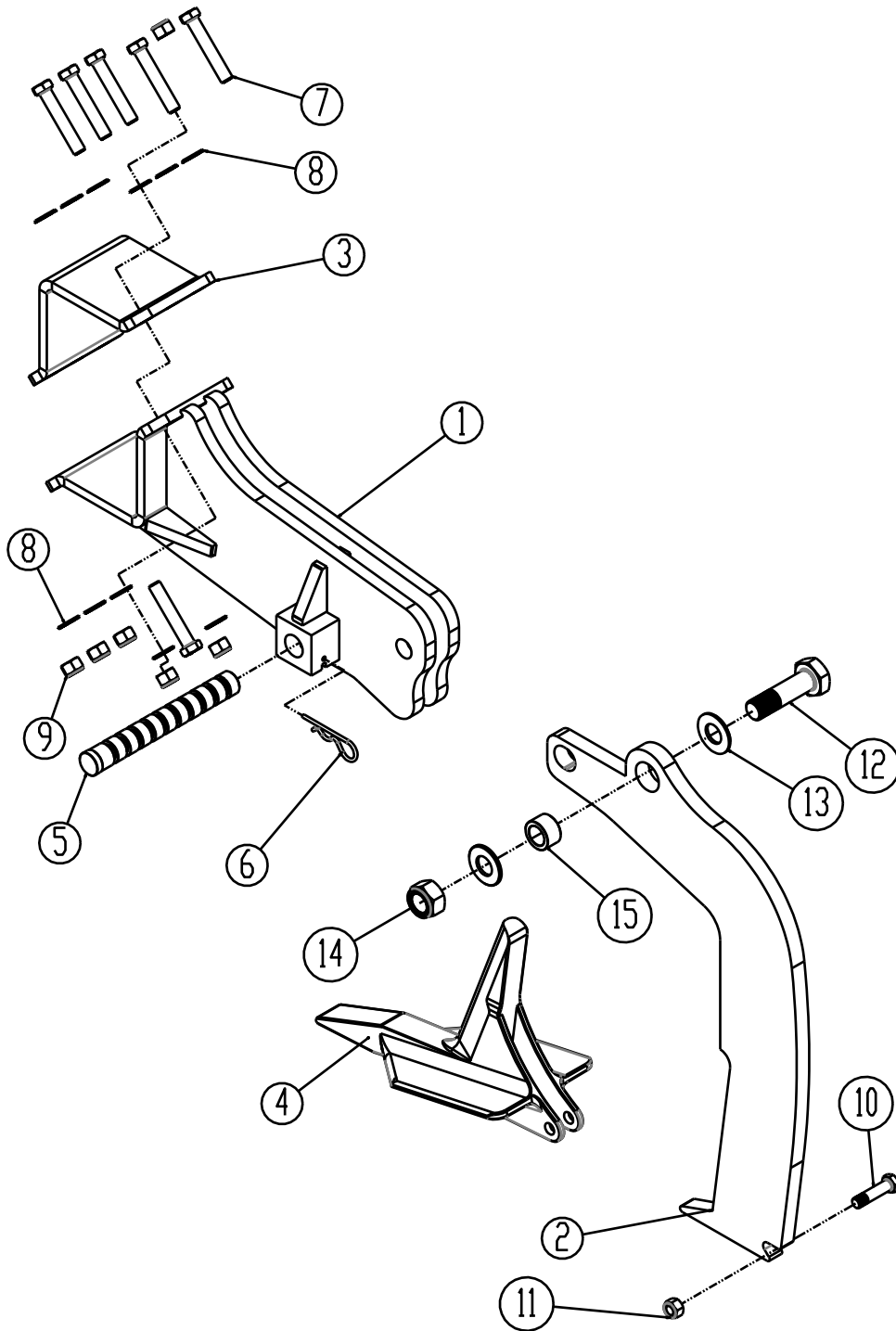


Pivoting crossbar no. 630757034 Cat. 3 (Optional)


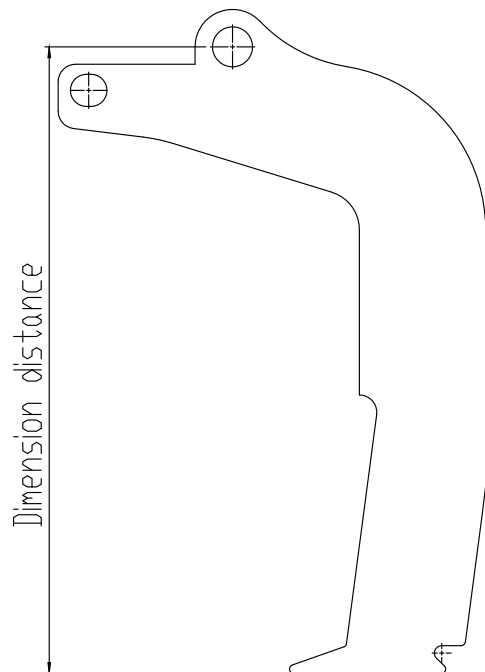
Pos.	Item no.	Designation	Pcs.
1	1145335	U-bracket for drawbar	1
2	112787-0	Draw pin vertical, complete	1
3	112791-1	Drawbar 2-point, cat. 3	1
4	112800-1	Draw shaft, complete	1
5	112804-1	Round-steel Ø100 60mm St. 50	1
6	0475450	I-Compress bushing EG Ø80/70x50mm	2
7	0227935	Insex. 6-kt CH M24x130 12.9 DIN912	1
8	0264130	Self-locking nut M24, 8.8 fzb DIN985	1
9	0475350	I-Compress bushing EG Ø50/40x50mm	2
10	112839-0	Flatsteel 70x6x130 st. SB27M12CB	1
11	112799-0	Flatsteel 70x6x70 st. SB27M12CB	1
12	0432100	Grease nipple M6x1	1
13	0272270	Facet washer Ø12 fzb DIN 125B	4
14	0235390	Bolt M12x55mm, 8.8 fzb	2
15	0264070	Self-locking nut M12 fzb DIN985	2
16	1127900	Round-steel Ø60 25mm st. 50	1
17	0272330	Faceted washer Ø24 fzb	1
18	0264130	Self-locking nut M24 DIN985	1
19	690140656	Shim ring Ø70/Ø90x0,5mm DIN988, no. depending on tolerances	0 - 3
20	690140654	Shim ring Ø70/Ø90x1mm DIN988, no. depending on tolerances	0 - 3



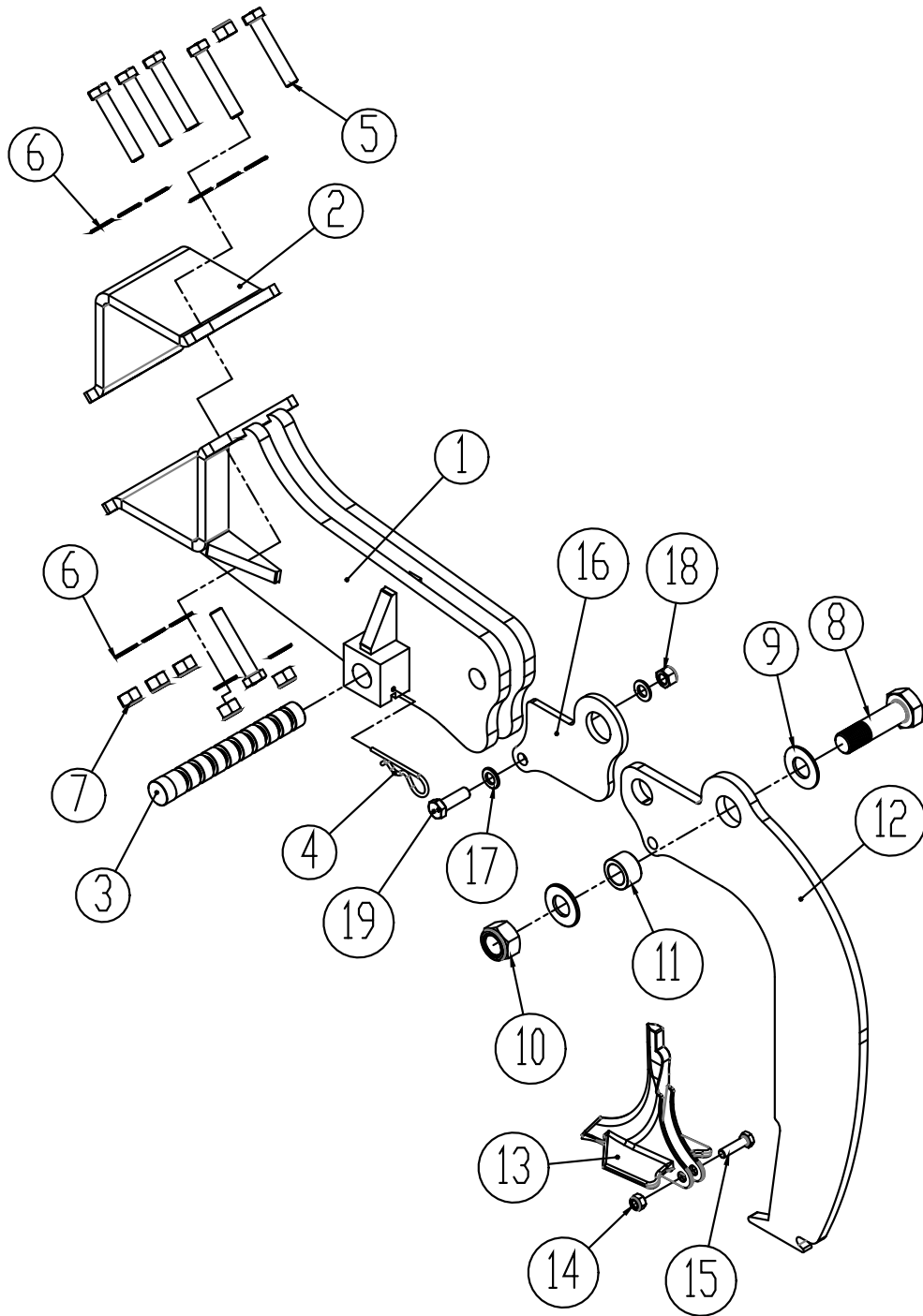
Tine Quick Push with 200 mm wearing point, long and short as well as left/right model



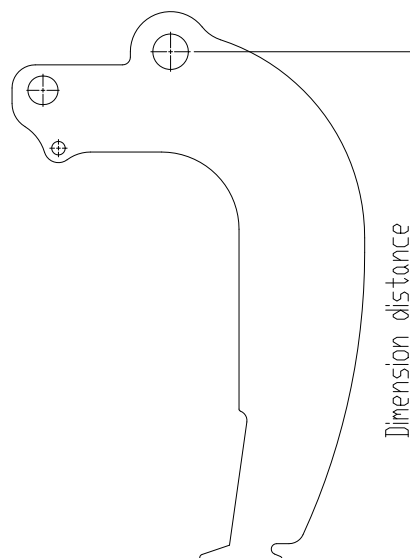
Pos.	Item no.	Designation	Long model	Short model
	1237139	Tine complete w/tine holder, Quick-Push left long		
	1237135	Tine complete w/tine holder, Quick-Push left short		
	1237141	Tine complete w/tine holder, Quick-Push right long		
	1237133	Tine complete w/tine holder, Quick-Push right short		
1	1237136	Quick-Push tine holder, left long	1	
1	1237134	Quick-Push tine holder, left short		1
1	1237140	Quick-Push tine holder, right long	1	
1	1237126	Quick-Push tine holder, right short		1
2	1237090	Tine 25mm Hardox 500, dimension distance 720 mm	1	1
3	645200061	Mounting bracket 15mm Domex 420 MC	1	1
4	645000044	Wearing point 200 mm wide	1	1
5	645000059	Shear pin Ø36 34CrNiMo6 Yellow Zink Plated	1	1
6	0377600	Hair pin Ø6	1	1
7	690103324	Bolt M18x100 10.9	7	7
8	0272300	Facetwasher Ø18	13	13
9	0264100	Self-locking nut M18	7	7
10	0235852	Bolt M16x65 8.8	1	1
11	0264090	Self-locking nut M16	1	1
12	690103869	Bolt M30x110 10.9	1	1
13	0272350	Facet washer Ø30 mm fzb	2	2
14	0264155	Self-locking nut M30	1	1
15	645000113	Bushing for tine	1	1



Tine Quick Push w/ 120 mm Easy Draft wearing point, long/short/ left/right



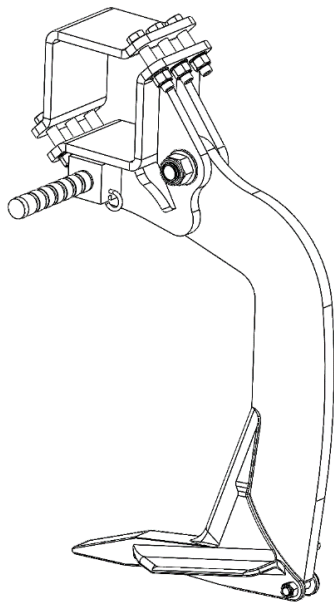
Pos.	Item no.	Designation	Long model	Short model
	1237232	Tine complete w/tine holder, Quick-Push left long		
	1237234	Tine complete w/tine holder, Quick-Push left short		
	1237239	Tine complete w/tine holder, Quick-Push right long		
	1237240	Tine complete w/tine holder, Quick-Push right short		
1	1237136	Quick-Push tine holder, left long	1	
1	1237134	Quick-Push tine holder, left short		1
1	1237140	Quick-Push tine holder, right long	1	
1	1237126	Quick-Push tine holder, right short		1
2	645200061	Mounting bracket 15mm Domex 420 MC	1	1
3	645000925	Shear pin Ø36 34CrNiMo6 Black Zink Plated	1	1
4	0377600	Hair-clip Ø6	1	1
5	690103324	Bolt M18x100 10.9	7	7
6	0272300	Facet washer Ø18	13	13
7	0264100	Self-locking nut M18	7	7
8	690103869	Bolt M30x110 10.9	1	1
9	0272350	Facet washer Ø30 mm fzb	2	2
10	0264155	Self-locking nut M30	1	1
11	645000113	Bushing for tine	1	1
12	1237235	Tine 15mm Hardox 500, dimension distance 660 mm	1	1
13	645000056	Low Draft cast wearing point 120 mm w/wolfram plate	1	1
14	0264070	Self-locking nut M12, fzb DIN985	1	1
15	0235380	Bolt M12x50 8.8	1	1
16	1237237	Sims 10 mm plate S235	1	1
17	690117013	Facet washer Ø16	2	2
18	690113008	Self-locking nut M16	1	1
19	690103197	Bolt M16x50 8.8	1	1



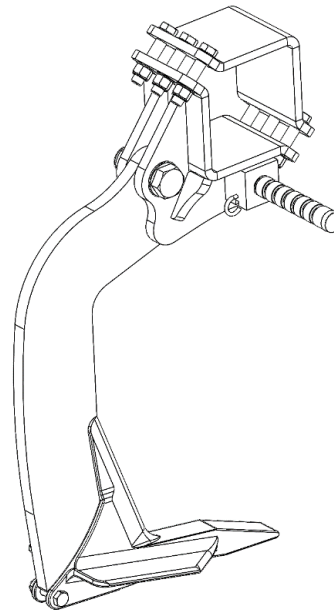
Overview Quick Push tineholders

Notice: When ordering spare parts for tine holders be aware that there on each machine with Quick-Push are 4 different models of tine holders. Respectively left/right models which also are in long and short. The different models are shown below here with 200 mm wearing points. The complete tine is available in the same conditions for the 120 mm Easy Draft wearing point in the same tine holder.

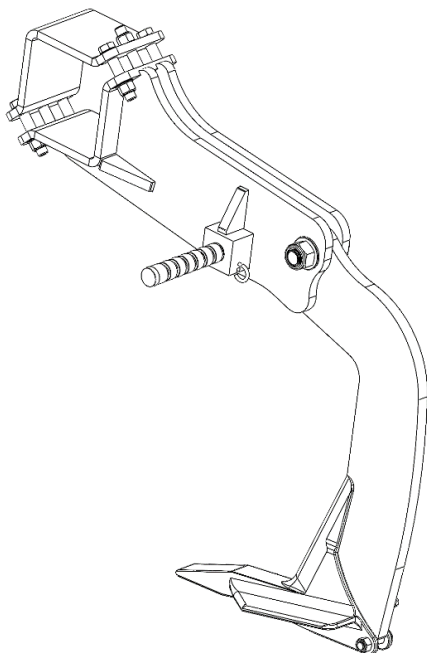
Complete tine with holder, left short
No. 1237135



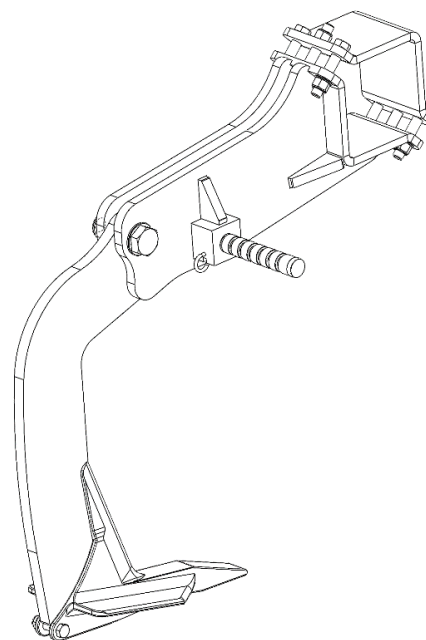
Complete tine with holder, right short
No. 1237133



Complete tine with holder, left long
No. 1237139



Complete tine with holder, right long
No. 1237141

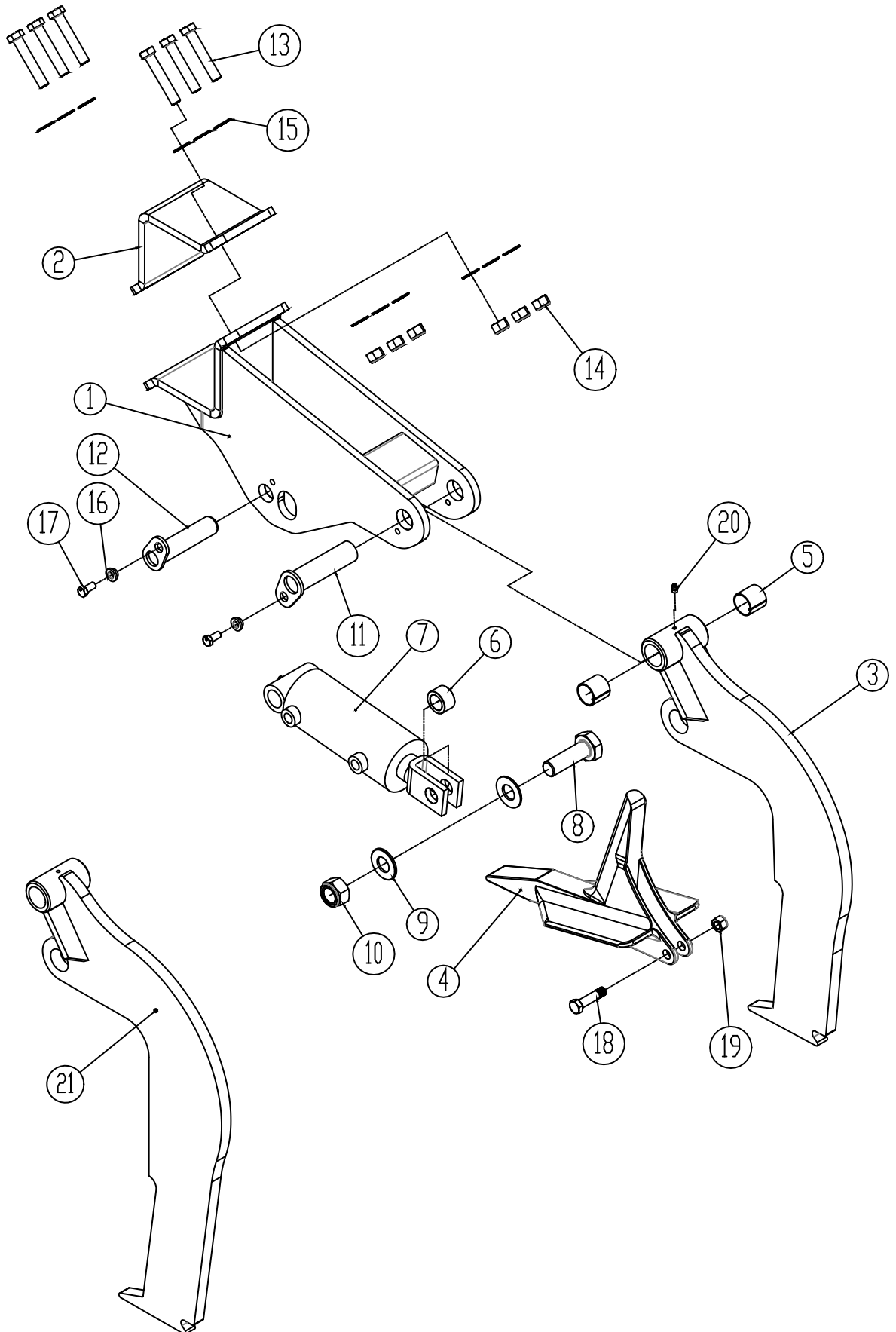


Notes

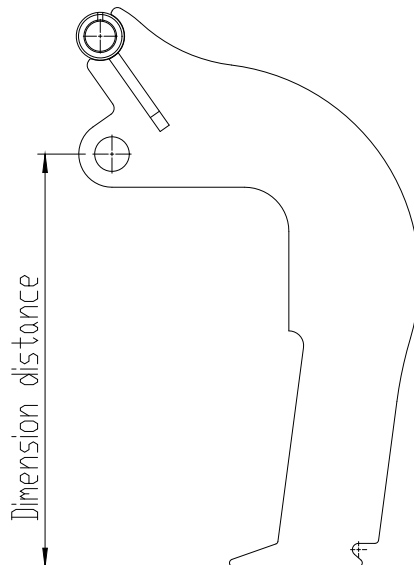
--	--



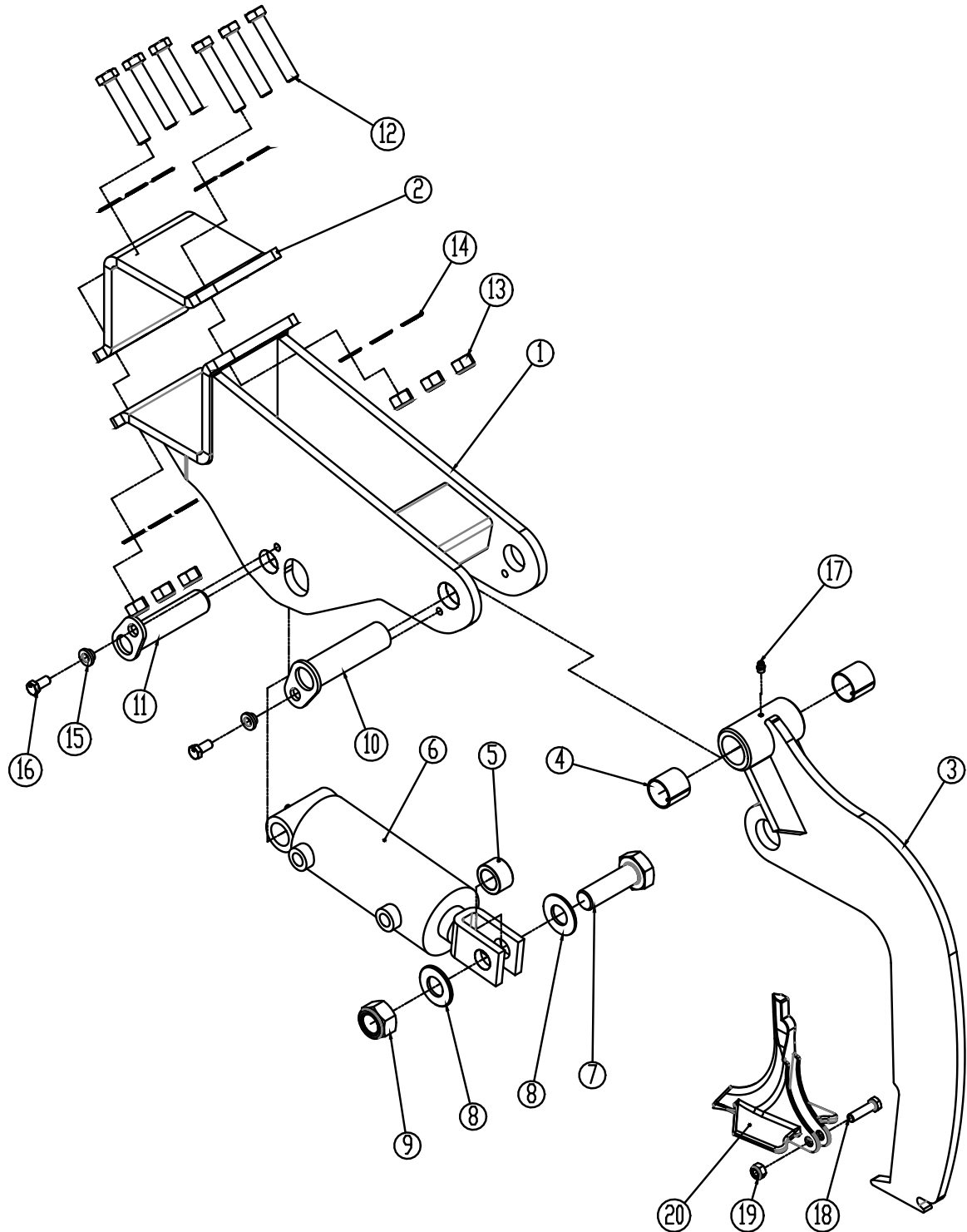
Tine hydraulic with 200 mm wearing point, long model, (short not shown)



Pos.	Item no.	Designation	Long model	Short model
	1237151	Tine complete w/tine holder, Hydraulic long		
	1237152	Tine complete w/tine holder, Hydraulic short (not shown)		
1	645200080	Hydraulic tine holder, long model	1	
1	645200081	Hydraulic tine holder, short model		1
2	645200061	Mounting bracket 15mm Domex 420 MC	1	1
3	1237149	Tine 25 mm for hydr. push, Dimension distance 560 mm	1	1
4	645000044	Wearing point with 200 mm wings	1	1
5	690140715	Bushing for tine pin Ø40/Ø44 L=40 mm <i>End serialno. 40125</i>	2	2
5	0475309	I-Bushing EG ø44/40x40mm From serial no. 40126	2	2
6	645000113	Bushing for rod end - clevis	1	1
7	690200114	Cylinder Ø100/50x130 w/rod end - clevis	1	1
7a	690200285	Gasket set 100/50 (Laizhou)		
8	690103868	Bolt M30x95 10.9	1	1
9	0272350	Facet washer Ø30 mm, fzb	2	2
10	0264155	Self-locking nut M30	1	1
11	69440148G	Pin Ø40 L=148	1	1
12	69435148G	Pin Ø35 L=148	1	1
13	690103324	Bolt M18x100 10.9	6	6
14	0264100	Self-locking nut M18	6	6
15	0272300	Facet washer Ø18	12	12
16	630532600	Lock bushing for pin head	2	2
17	690101101	Bolt M12x25 8.8	2	2
18	0235852	Bolt M16x65 8.8	1	1
19	0264090	Self-locking nut M16	1	1
20	690136029	Grease nipple M8	1	1
21	1237228	Tine 25 mm for hydr. push, extended 140 mm		

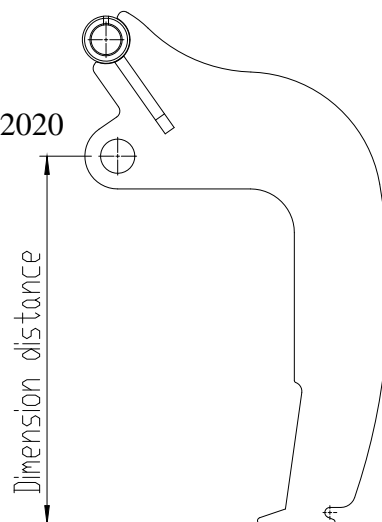


Tine hydraulic with Easy Draft 120 mm wearing point, long model



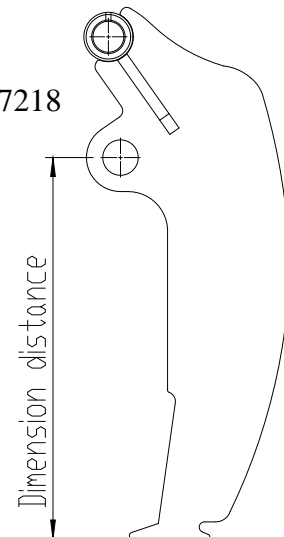
Pos.	Item no.	Designation	Long model	Short model
	1237214	Tine complete w/tine holder, Hydraulic long		
	1237208	Tine complete w/tine holder, Hydraulic short (not shown)		
1	645200080	Hydraulic tine holder, long model	1	
1	645200081	Hydraulic tine holder, short model		1
2	645200061	Mounting bracket 15mm Domex 420 MC	1	1
3	1237209	Tine f/hydr. Push, Easy draft, Dimension distance 505 mm. Replaced the 04.06.2020	1	1
3	1237208	Tine f/hydr. Push, Easy draft, Dimension distance 505 mm	1	1
4	690140715	Bushing for tine pin Ø40/Ø44 L=40 mm <i>End serialno. 40125</i>	2	2
4	0475309	I-Bushing EG ø44/40x40mm From serial no. 40126	2	2
5	645000113	Bushing for rod end - clevis	1	1
6	690200114	Cylinder Ø100/50x130 w/rod end - clevis	1	1
6a	690200285	Gasket set 100/50 (Laizhou)		
7	690103868	Bolt M30x95 10.9	1	1
8	0272350	Facet washer Ø30 mm, fzb	2	2
9	0264155	Self-locking nut M30	1	1
10	69440148G	Pin Ø40 L=148	1	1
11	69435148G	Pin Ø35 L=148	1	1
12	690103324	Bolt M18x100 10.9	6	6
13	0264100	Self-locking nut M18	6	6
14	0272300	Facetwasher Ø18	12	12
15	630532600	Lock bushing for pin head	2	2
16	690101101	Bolt M12x25 8.8	2	2
17	690136029	Grease nipple M8	1	1
18	0235380	Bolt M12x50	1	1
19	0264070	Self-locking nut M12	1	1
20	645000056	Low Draft cast wearing point 120 mm w/wolfram plate	1	1

Tine no. 1237209
Replaced pr. 04.06.2020



17

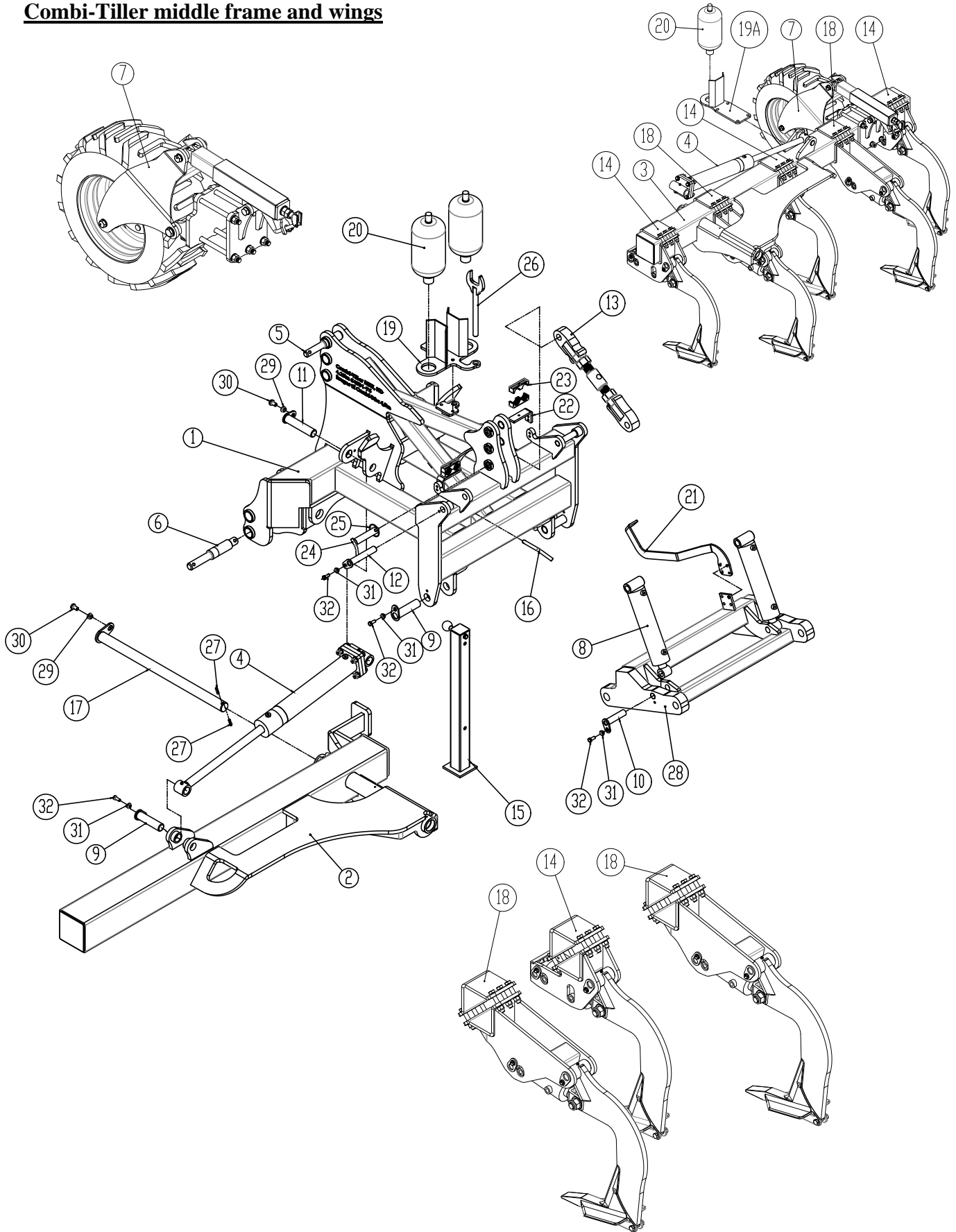
Tine no. 1237218



[Back to the table of contents](#)

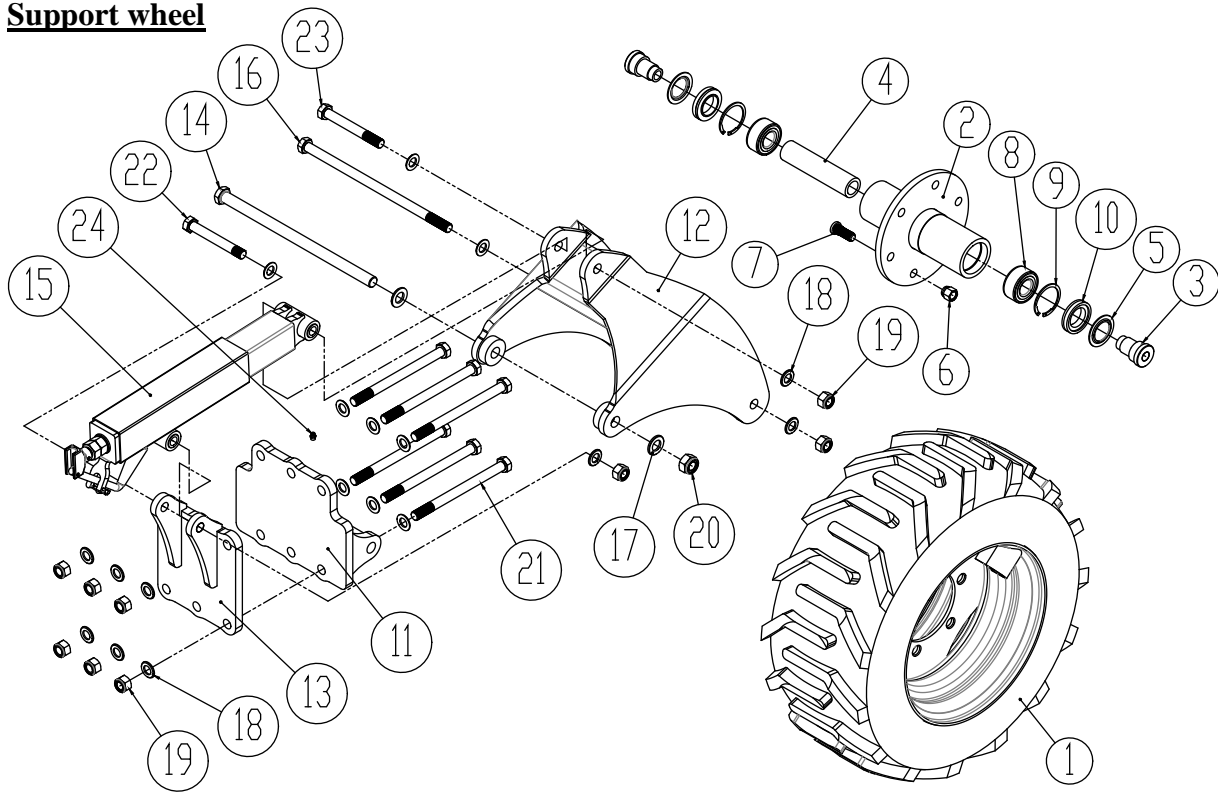


Combi-Tiller middle frame and wings



Pos.	Item no.	Designation	4,5m	5,5m
1	1237093	Middle frame, Cat. 3, 4N	1	1
2	1237145	Wing left HD 4,25m	1	
2	1237109	Wing left HD 5,25m		1
3	1237146	Wing right HD 4,25m	1	
3	1237108	Wing right HD 5,25m		1
4	690200255	Cylinder Ø90/40x500	2	2
4a	690200273	Gasket set 90/40 (Hyraflex)		
4b	645200176	Shim for customization of cylinder length 3 mm		
4b	645200178	Shim for customization of cylinder length 4 mm		
4b	645200174	Shim for customization of cylinder length 5 mm		
4b	645000396	Shim for customization of cylinder length 1 mm		
5	69532105C	Ø45 round steel – SB27M12CB	1	1
6	69537125C	Round steel E 360 (St. 70-2)	2	2
7	1237007	Support wheel complete	2	2
8	690200200	Cylinder Ø80/40x280	2	2
8a	690200143	Gasket set 80/40 (Laizhou)		
9	69440155G	Pin Ø40 L=155	4	4
10	69430125G	Pin Ø30 L=125	2	2
11	69440187G	Pin Ø40 L=187	2	2
12	69530175G	Compressed steel	2	2
13	1237155	Toplink, complete	1	1
14	1237152	Tine complete, hydr. auto, short model	3	4
15	1237125	Support wheel, complete	1	1
16	69516094A	Compressed steel Ø16	1	1
17	69450865G	Pin Ø50 L=865	2	2
18	1237151	Tine complete, hydr. auto, long model	4	5
19	645200076	Holder for accumulator	1	1
19A	1237054	Holder for accumulator		2
20	690206513	Accumulator 4,5 L 90 bar	2	4
21	1237204	Indicator scale for lift	1	1
22	1237231	Bracket for hose holder	2	2
23	0449750	Hose holder	4	4
24	69532129B	Pin Ø32 L=129 w/handle	1	1
25	690134008	Ring clip Ø11,5 Ø60 ring	4	4
26	1285081	Topstangsværktøj	1	1
27	0371702	Roll pin Ø10x40 mm	4	4
28	645200171	Lift console, Combi-Tiller MKII	1	1
29	630532700	Lock bushing for pin head	4	4
30	0235770	Bolt M16x30	4	4
31	630532600	Lock bushing for pin head	4	4
32	0235340	Bolt M12x30 8.8 fzb	4	4



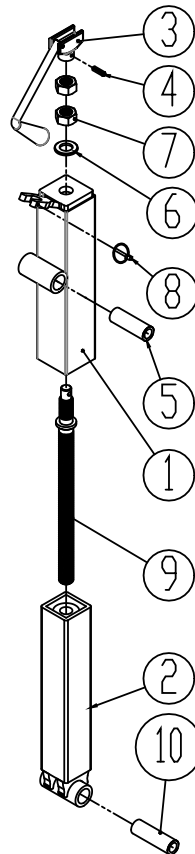
Support wheel


Pos.	Item no.	Designation	Pcs.
1	0395654	Wheel 300/55x14,5 SG Flotation, Left	1
1	0395653	Wheel 300/55x14,5 SG Flotation, Right	1
	7365005	Hub for fork mounting 6-M18x1.5/205 (Pos. number 2 - 10)	
2	7365004	Bushing welded on hub plate t/6 hub bolts	1
3	7365001	End bushing for hub assembly	2
4	7365002	Bushing Steel pipe Ø45x7	1
5	630949019	Disc Ø45/71,7	2
6	0396470	Hub nut M18x1,5 R19	6
7	0396460	Hub bolt M18x1,5 L=49	6
8	690140201	Bearing (conical double roller bearing)	2
9	0379250	Seeger circlip ring	2
10	690140651	Seeling kit 72-45-14/17	2
11	1237008	Mounting bracket part 1 of 2	1
12	1237009	Wheel frame	1
13	1237010	Mounting bracket part 2 of 2	1
14	0236570	Bolt M24x440 8.8.	1
15	1237011	Samlet spindel (se næste side)	1
16	690103286	Bolt M20x420 8.8	1
17	0272330	Facet washer Ø24 fzb	2
18	0272310	Facet washer Ø20 DIN125B	18
19	0264110	Self-locking nut M20	9



20	0264130	Self-locking nut M24 8.8 fzb DIN985	1
21	690103297	Bolt M20x260 10.9	6
22	0236240	Bolt M20x150 8.8	1
23	0236250	Bolt M20x160 8.8	1
24	690136029	Grease nipple M8 straight	1

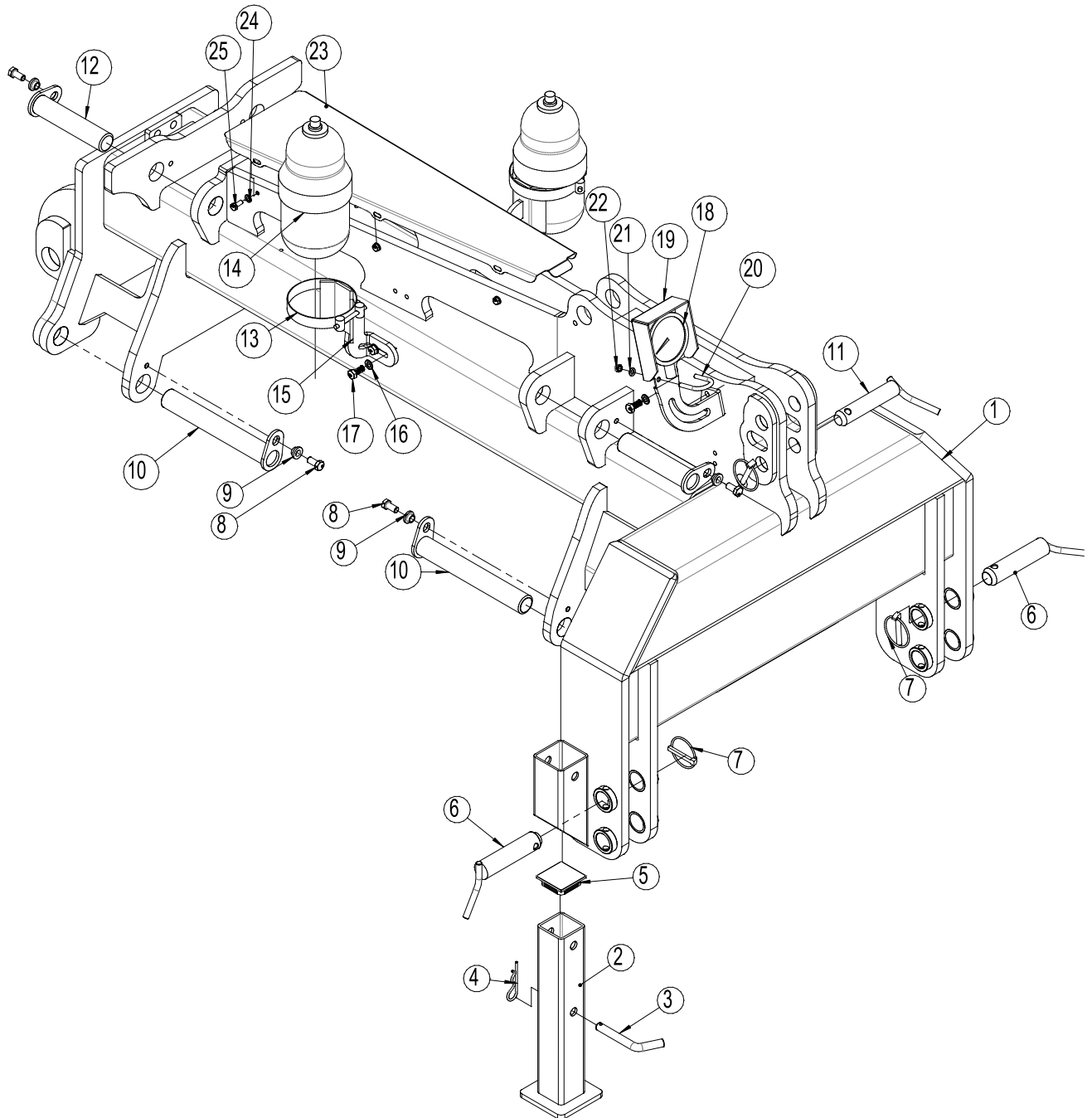
Spindle for support wheel



Pos.	Item no.	Designation	Pcs.
1	675101007	Outer part, complete	1
2	1237023	Inder part, complete	1
3	903041102	Handle	1
4	0371660	Roll pin Ø8x30 mm	1
5	675101006	BK-pipe 30x5 L=89 S235JR	1
6	690117011	Facet washer Ø24	1
7	0261425	Nut M24, galvanized	2
8	690134001	Ring clip Ø4,5 mm	1
9	690304122	Rod with threads 28TR L=455	1
10	1237022	BK-pipe 30x5 L=98 S235JR	1



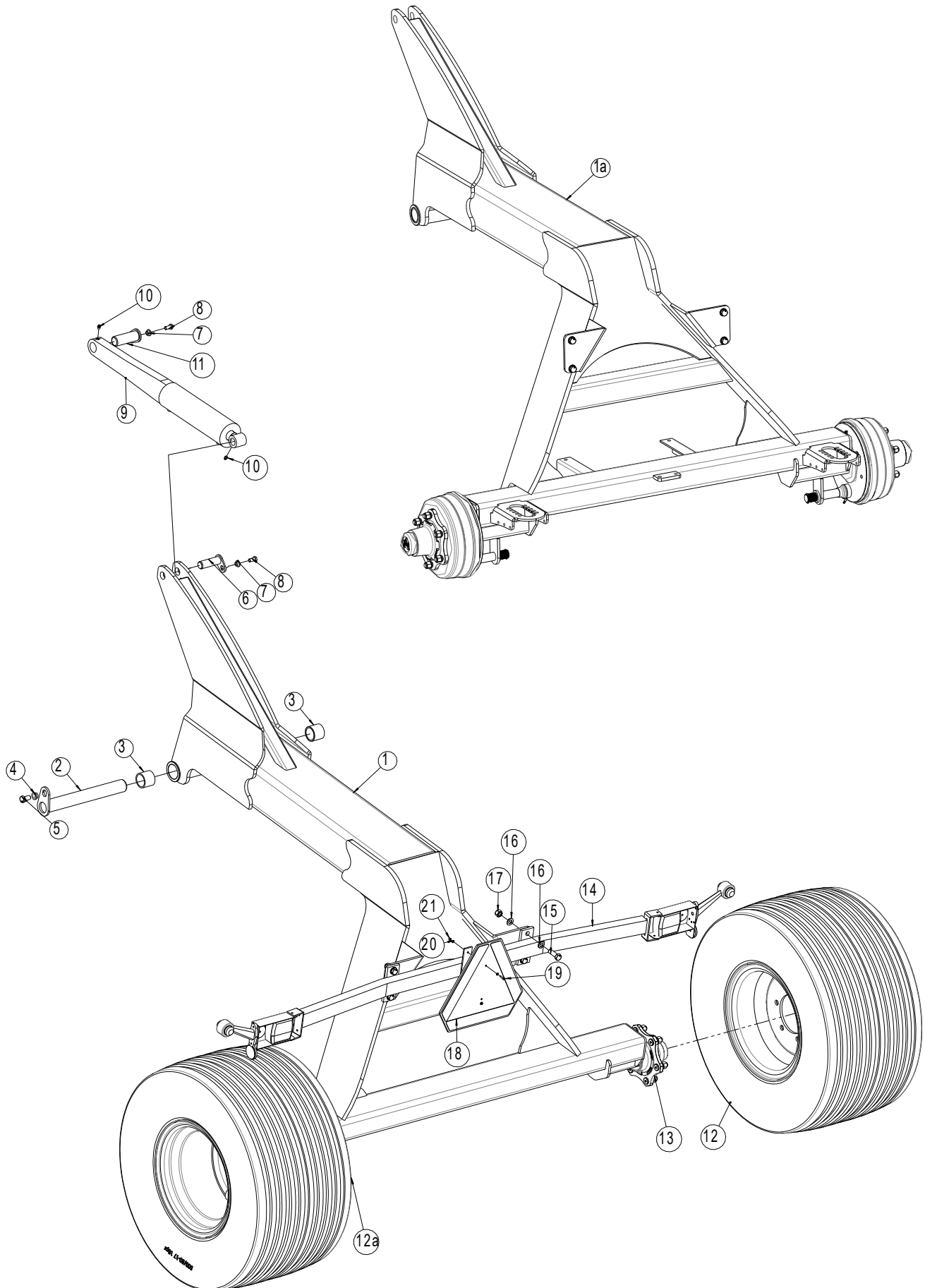
Middle frame for Disc-Roller



Pos.	Item no.	Designation	4,5m	5,5m
1	1300114	Centre frame w/protection	1	1
2	630916554	Supporting leg	1	1
3	1030280	Pin Ø16 L=80,5mm / 45°	1	1
4	0377400	R-clip Ø4	1	1
5	0489610	Plastic plug RHS 70x70x5	1	1
6	69537129B	Pin Ø37 =129 (Pin for lift arm CAT III) w/handle and cotter slot	2	2
7	690134008	Ring pin Ø11,5 – ring Ø60	3	3
8	690101101	Bolt M12x25 8.8 m/lim	4	4
9	630532600	Lock bush for pin head	4	4
10	69440287G	Pin Ø40 L=287	2	2
11	69532129B	Pin Ø32 L=129 (Pin for top link CAT III) w/handle and cotter slot	1	1
12	69440187G	Pin Ø40 L=187	2	2
13	690206511	Clamp for accumulator HST 2,3 ltr	2	2
14	690206510	Accumulator HST 2,3 ltr. 40 Bar	2	2
15	1300065	Holder for accumulator, right	1	1
15a	1300062	Holder for accumulator, left	1	1
16	0272260	Facet washer Ø10	6	6
17	0235040	Bolt M10x25 8.8	6	6
18	0442052	Manometer 250 Bar Ø100	1	1
19	1300067	Holder for Manometer	1	1
20	690110003	O-ring M8x60x Ø35	1	1
21	0272250	Facet washer Ø8	2	2
22	0264050	Self-locking bush M8	2	2
23	1300120	Protection for center frame	1	1
24	0234750	Steel set screw M8x20 fzb 8.8	6	6
25	0272250	Facet washer Ø8	6	6



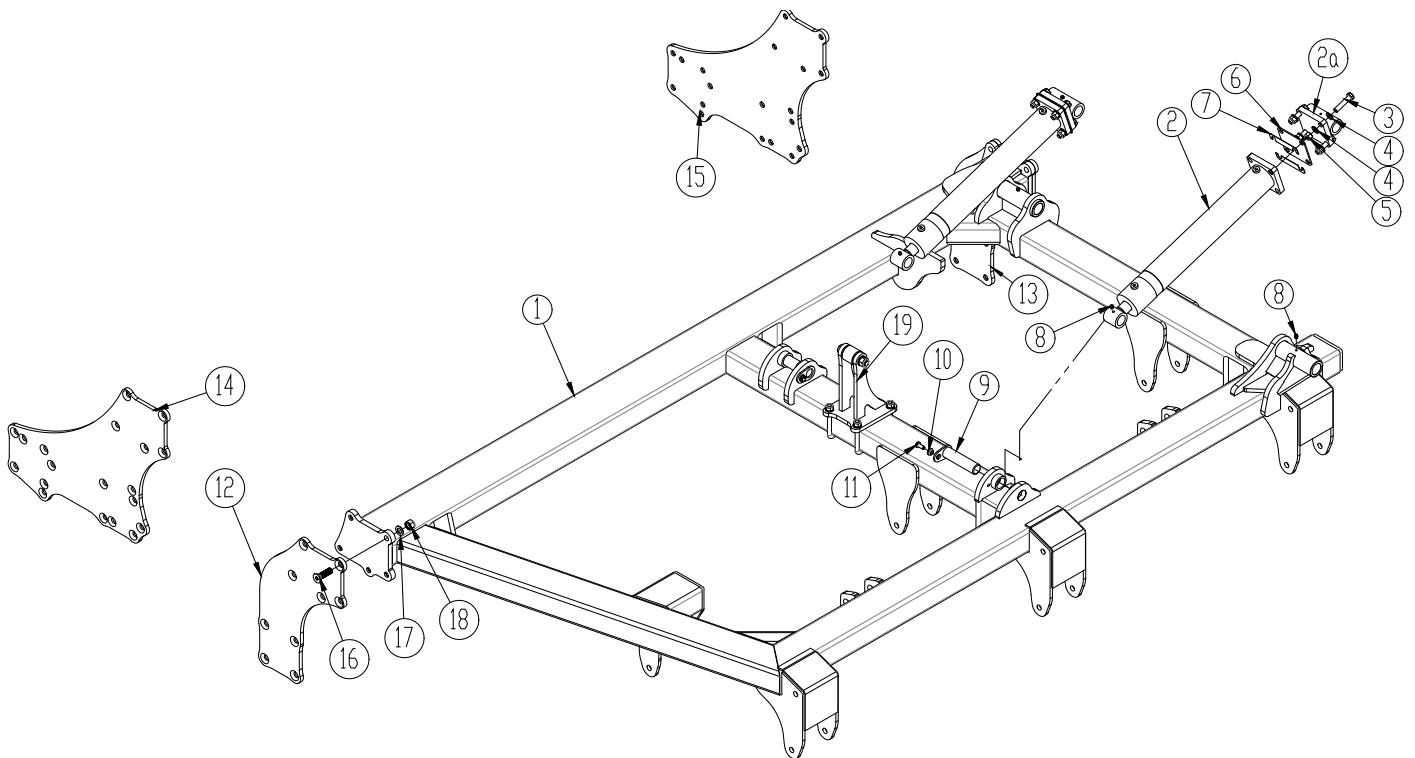
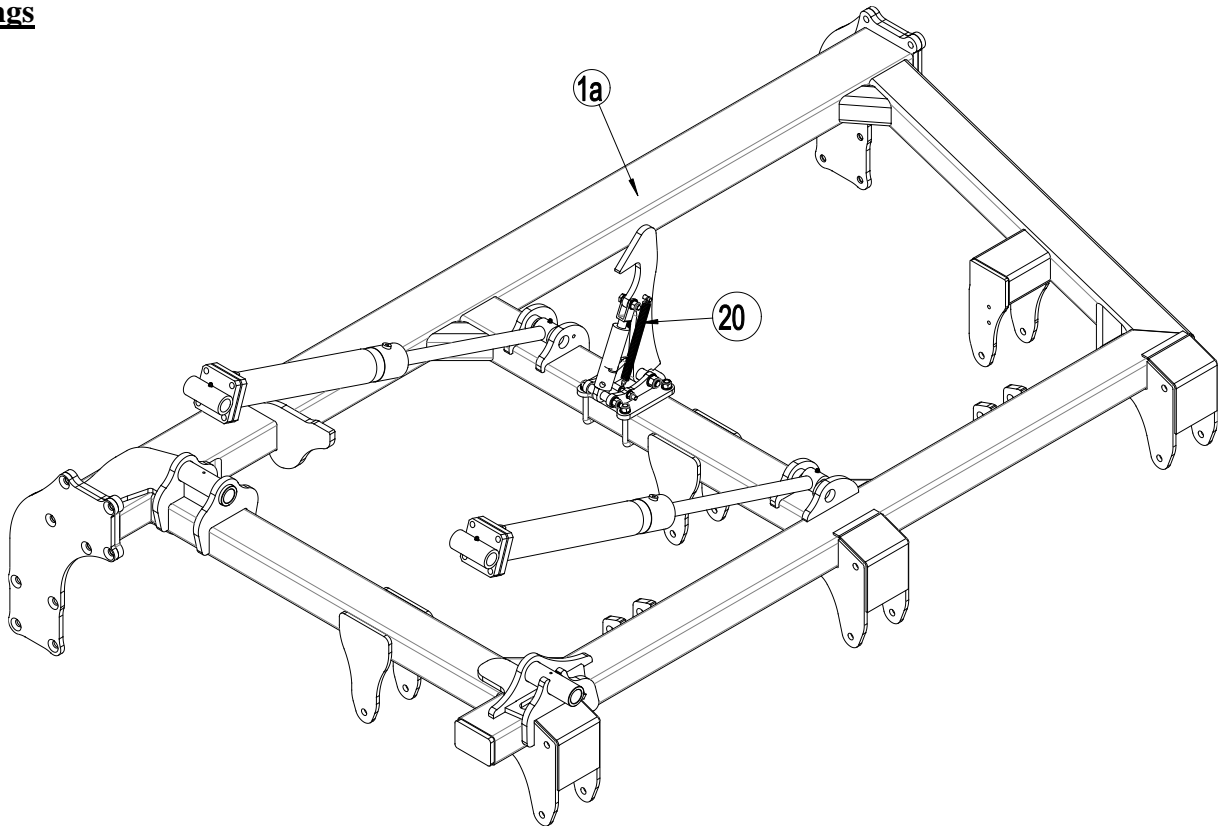
Wheel frame



Pos.	Item no.	Designation	4,5m	5,5m
1	1141258	Wheel frame 2500 kg hub	1	1
1a	1141262	Hjulstel med bremsenav	1	1
2	69450400G	Pin Ø50 L=400 welded head	1	1
3	0475400	Bush EG Ø60/50 x 50 mm	2	2
4	630532700	Lock bush for pin head	1	1
5	690103198	Bolt M16x30 8.8	1	1
6	69440090G	Pin Ø40 L=90	1	1
7	630532600	Lock bush for pin head	2	2
8	690101101	Bolt M12x25 w/glue	2	2
9	7345095	Cylinder100/40x285 Ø40,5/Ø40,25	1	1
9a	690200296	Gasket set 100/40 (Laizhou)		
10	690136029	Lubricating nipple M8	2	2
11	69440110G	Pin Ø40 L=110	1	1
12	690141360	Wheel 500/50x17,0 – 18 ply Right Complete	1	1
12a	690141362	Wheel 500/50x17,0 – 18 ply Left Complete	1	1
12b	690141361	Rim 500/50-17	2	2
12c	690141352	Tire 500/50-17 – 18 ply	2	2
13	690141030	Hub 2500 kg - TVZ (see the hubcab)	2	2
13	0395442	Hub 2500 kg - He-va (see the hubcab)	2	2
13a	690141033	Hub cab ø80 2500 kg hub - (TVZ (see the hubcab)	2	2
13a	0395437	Hub cab ø88 2500 kg hub - (He-va (see the hubcab)	2	2
13b	0396470	Hub nut M18 x 1,5	12	12
13c	0396460	Hub bolt M18 x 1,5 L=54	12	12
13	690141032	Hub w/brakes 3750 kg TVZ	2	2
13a	690141034	Hub cap Ø90	2	2
13b	690141055	Hub nut M18 x 1,5	12	12
13c	690141042	Hub bolt M18 x 1,5 x 60	12	12
14	630835015	Bar for light	1	1
15	690103197	Bolt M16x50	4	4
16	0272290	Facet washer Ø16	8	8
17	0264090	Self-locking nut M16	4	4
18	0521010	Warning triangle	1	1
19	0233860	Bolt M5x20	2	2
20	0272230	Facet washer Ø5	4	4
21	0264030	Self-locking nut M5	2	2



Wings

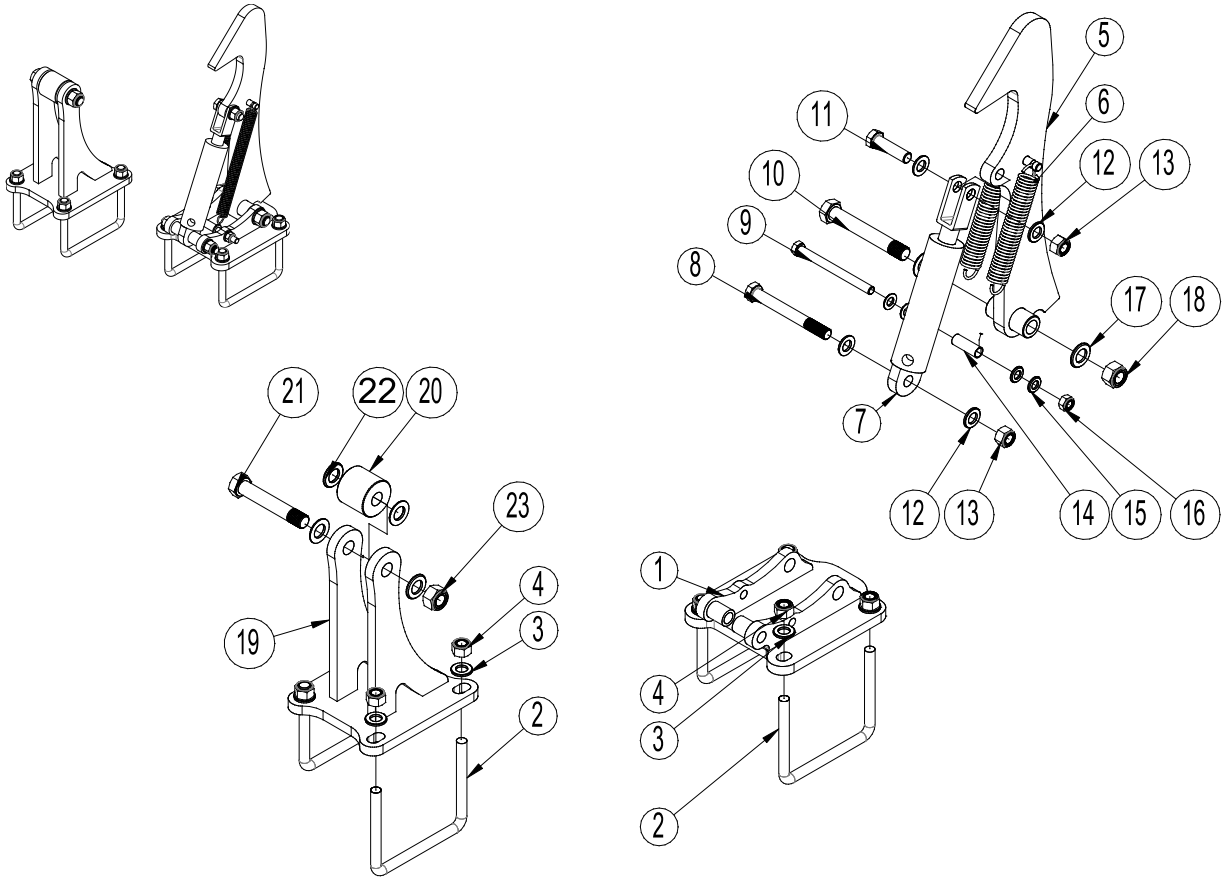


Pos.	Item no.	Designation	4,5	5,5
1	1300216	Wing, right from serial no. 349524	1	
1	1300218	Wing, right from serial no. 349524		1
1a	1300217	Wing, left from serial no. 349524	1	
1a	1300219	Wing, left from serial no. 349524		1
2	690200252	Cylinder 90/40x600 Ø40,25	2	4
2a	690200253	Square flange w/bushing Ø40,25	2	4
	690200273	Gasket set 90/40 (Hydraflex)		
3	0235870	Bolt M16x75mm, 8.8 fzb	8	16
4	0272290	Facet washer 16mm, fzb	16	32
5	0264090	Self-locking nut M16	8	16
6	645200176	Shim for customization of cylinder length 3 mm		
	645200178	Shim for customization of cylinder length 4 mm		
	645200174	Shim for customization of cylinder length 5 mm		
7	645000396	Shim for customization of cylinder length 1 mm		
8	690136029	Grease nipple M8	8	12
9	69440153G	Pin Ø40 L=153	2	4
10	630532600	Lock bushing for pin head	2	4
11	690101101	Bolt M12x25 w/glue	2	4
12	1300245	Endplate for single roller, Ø600 H (20mm) from serial no. 349524	2	2
12	1300211	Endplate for single roller, Ø700 H (20mm)	2	2
13	1300246	Endplate for single roller, Ø600 V (20mm) from serial no. 349524	2	2
13	1300212	Endplate for single roller, Ø700 V (20mm)	2	2
14	1300208	Endplate for double roller, H (20 mm) from serial no. 349524	2	2
15	1300210	Endplate for double roller, V (20mm) from serial no. 349524	2	2
16	690103215	Hexagon countersunk schrew M20x70 8.8 UH fzb DIN7991	20	20
17	0272310	Facet washer Ø20	20	20
18	0264110	Self-locking nut M20	20	20
19	630916604	Console for locking claw system with roller (see next page)	1	1
20	630916593	Console for locking claw system with hook (see next page)	1	1

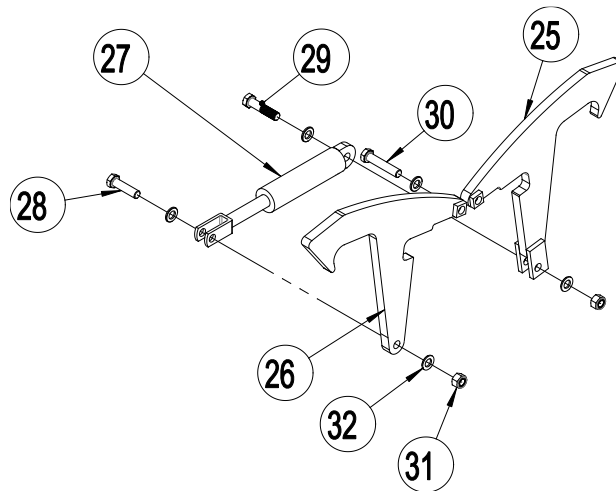


Lock claw system

Version 2

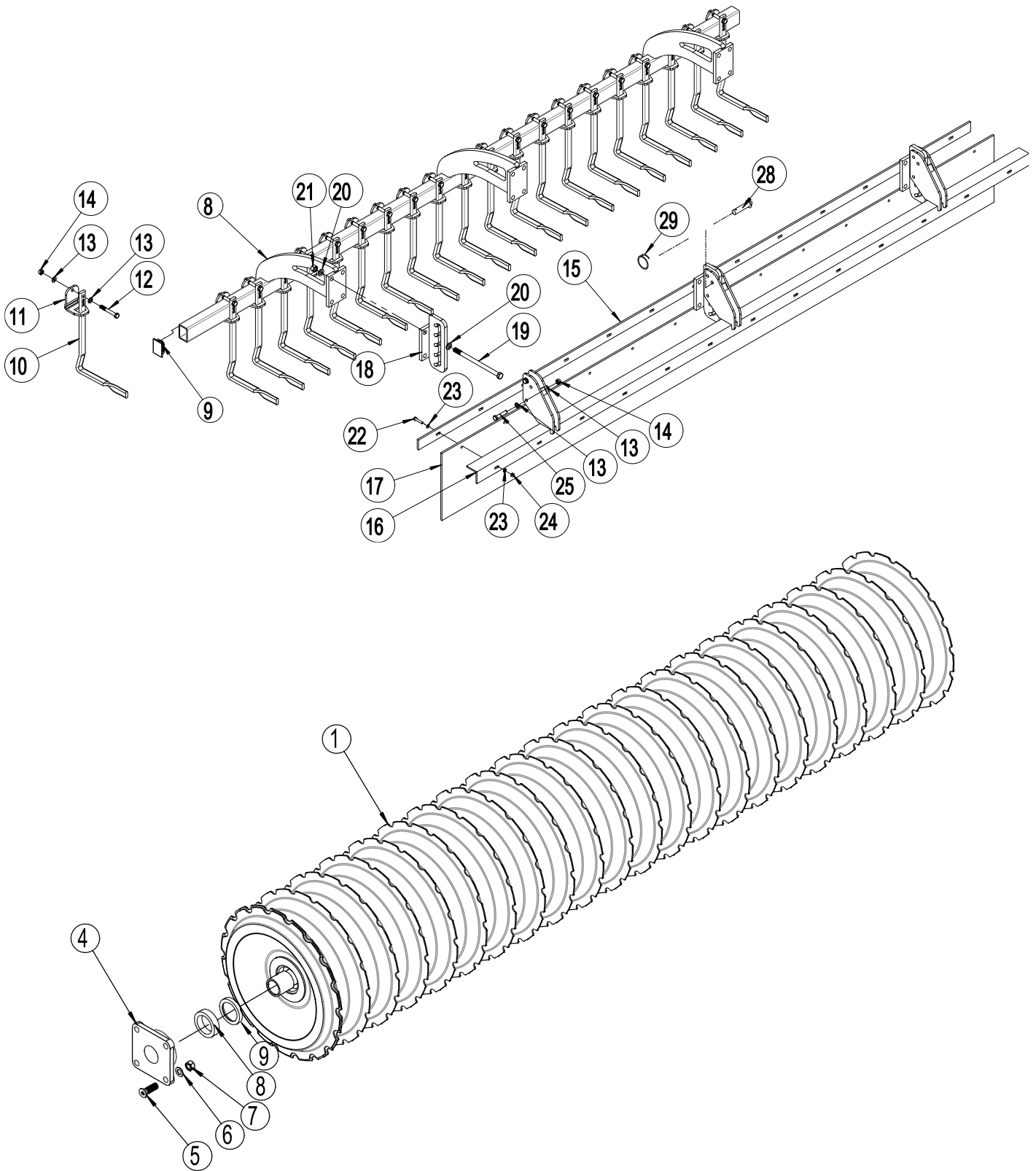


Version 1



Pos.	Item no.	Designation	Pc.
1	630916606	Console for hook	1
2	690110103	U-bolt M16x100x150x100	4
3	0272290	Facet washer Ø16 DIN125B	8
4	0264090	Self-locking nut M16	8
5	630916605	Claw	1
6	0431650	Extension spring ø4.0mm x 32mm x 160mm x 30.5v	2
7	690200170	Cylinder 40/25x80	1
7a	690200175	Gasket set 40/25	
8	0235940	Bolt M16x140mm, 8.8 fzb	1
9	0235500	Bolt M12x140mm, 8.8 fzb	1
10	0236230	Bolt M20x140mm, 8.8 fzb	1
11	0235840	Bolt M16x60mm 8.8	1
12	0272290	Facet washer 16mm, fzb	4
13	0264090	Self-locking nut M16	2
14	630916607	Hydr. tube Ø16 L=45	1
15	0272270	Facet washer Ø12	4
16	0264070	Self-locking nut M12	1
17	0272310	Facet washer Ø20	2
18	0264110	Self-locking nut M20	1
19	630916599	Console for roller	1
20	630670593	Roller Ø20,5x56 L=51 POM black	1
21	0236210	Bolt M20x120mm, 8.8 fzb	1
22	0272310	Facet washer Ø20	4
23	0264110	Self-locking nut M20	1
	1300137	Mounted console set (pos 1 – 23)	
		Previous model below here	
25	1160193	Claw (V)	1
26	1160276	Claw (H)	1
27	690200170	Cylinder 40/25x80	1
27a	690200175	Gasket set 40/25	
28	690103130	Bolt M16x70 10.9	1
29	690103133	Bolt M16x60 10.9	1
30	690103135	Bolt M16x80 10.9	1
31	0264090	Self-locking nut M16	3
32	0272290	Facet washer Ø16	5



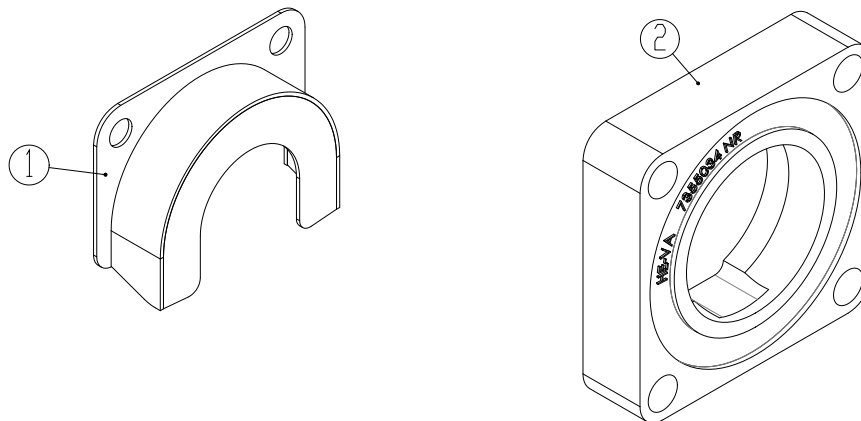
Single V-Profile roller – scraper – material damper guard

Pos.	Item no.	Designation	4,5m	5,5m
1	1160626	Single V-profile roller, Ø600 L=2210	2	
1	7451042	Single V-profile roller, Ø600 L=2740		2
1	7451072	Single V-profile roller, Ø700 L=2242	2	
1	7451076	Single V-profile roller, Ø700 L=2710		2
2	7451025	Twin V-Profile roller, L=2240	4	
2	7451022	Twin V-Profile roller, L=2740		4
3	7450027	Twin U-Profile roller L=2240	4	
3	7450007	Twin U-Profile roller L=2740		4
4	0478972	Bearing HCF 312, 4 holes flange bearing w/eccentric lock washer, cast steel housing	4 (8)	4 (8)
5	690103215	Hexagon screw M20x70 8.8 UH DIN7991	16 (32)	16 (32)
6	0272310	Facet washer Ø20	16 (32)	16 (32)
7	0264110	Self-locking nut M20	16 (32)	16 (32)
8	1300096	Scraper bar R/L for Ø600 roller	2	
8	1300079	Scraper bar R/L for Ø600 roller		2
8	1300214	Scraper bar R/L for Ø700 roller	2	
8	1300238	Scraper bar R/L for Ø700 roller		2
9	690109203	Plastic plug f/profile tube 70x50x2, black	4	4
10	630938520	Scraper short – twisted 255 mm Ø600 roller	28	36
10	630938521	Scraper long – twisted 320 mm Ø700 roller	28	36
11	630938522	Clamp 50x70 f/scraper	28	36
12	0235450	Steel bolt M12x90mm 8.8	28	36
13	0272270	Facet washer Ø12	72	88
14	0264070	Self-locking nut M12	28	36
15	1300132	Clamping plate 2230	2	
15	1300136	Clamping plate 2730		2
16	630928714	Mounting bar f/material damper guard, L	1	
16	630928712	Mounting bar f/material damper guard, R	1	
16	630938638	Mounting bar f/material-damper guard, L		1
16	630938633	Mounting bar f/material-damper guard, R		1
17	1300131	Rubber mat 2230	2	
17	1300135	Rubber mat 2730		2
18	630938545	Suspension f/material-damper guard	4	4



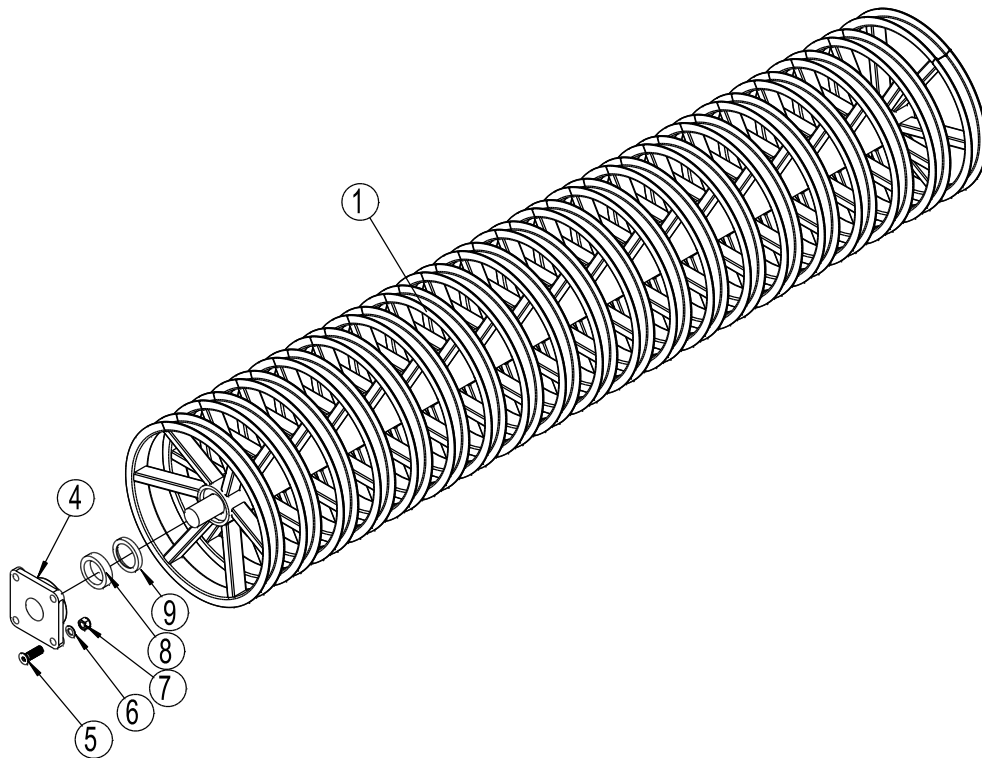
19	690103295	Bolt M16x260 8.8	16	16
20	0272290	Facet washer Ø16	32	32
21	0264090	Self-locking nut M16	16	16
22	0234790	Bolt M8x40 8.8	18	22
23	0272250	Facet washer Ø8	36	44
24	0264050	Self-locking nut M8	18	22
25	0235400	Bolt M12x60 8,8	8	8
26	0382800	U-bolt M16x100x150x100	8	8
27	0264090	Self-locking nut M16	16	16
28	69512040K	Pin Ø12,5 L=40	4	4
29	0431975	Sikringsring 30 x Ø3	4	4
30	690600020	Bushing Ø60 L=20	4 (8)	4 (8)
31	7330021	Thrust washer, adapted for the welding, Ø82,5xø61 L= 12	4 (8)	4 (8)

Rubber damped bearings and protection shield for ordinary bearings



Pos.	Item no.	Designation	Pc. Each roller
1	7355054	Protection guard for HCF 312 bearing (additional equipment, not to be used at rubber damped bearings)	2
2	7355013	Rubber damped house for bearing Ø55 shaft	2
2a	690140114	Bearing UC 211 R3 for Ø55 shaft, to be used together with no. 7355013	
2	7355034	Rubber damped house for bearing Ø60 shaft	2
2b	0478791	Bearing UC312 R3 for Ø60 shaft, to be used together with no. 7355034	2

U-Profile roller

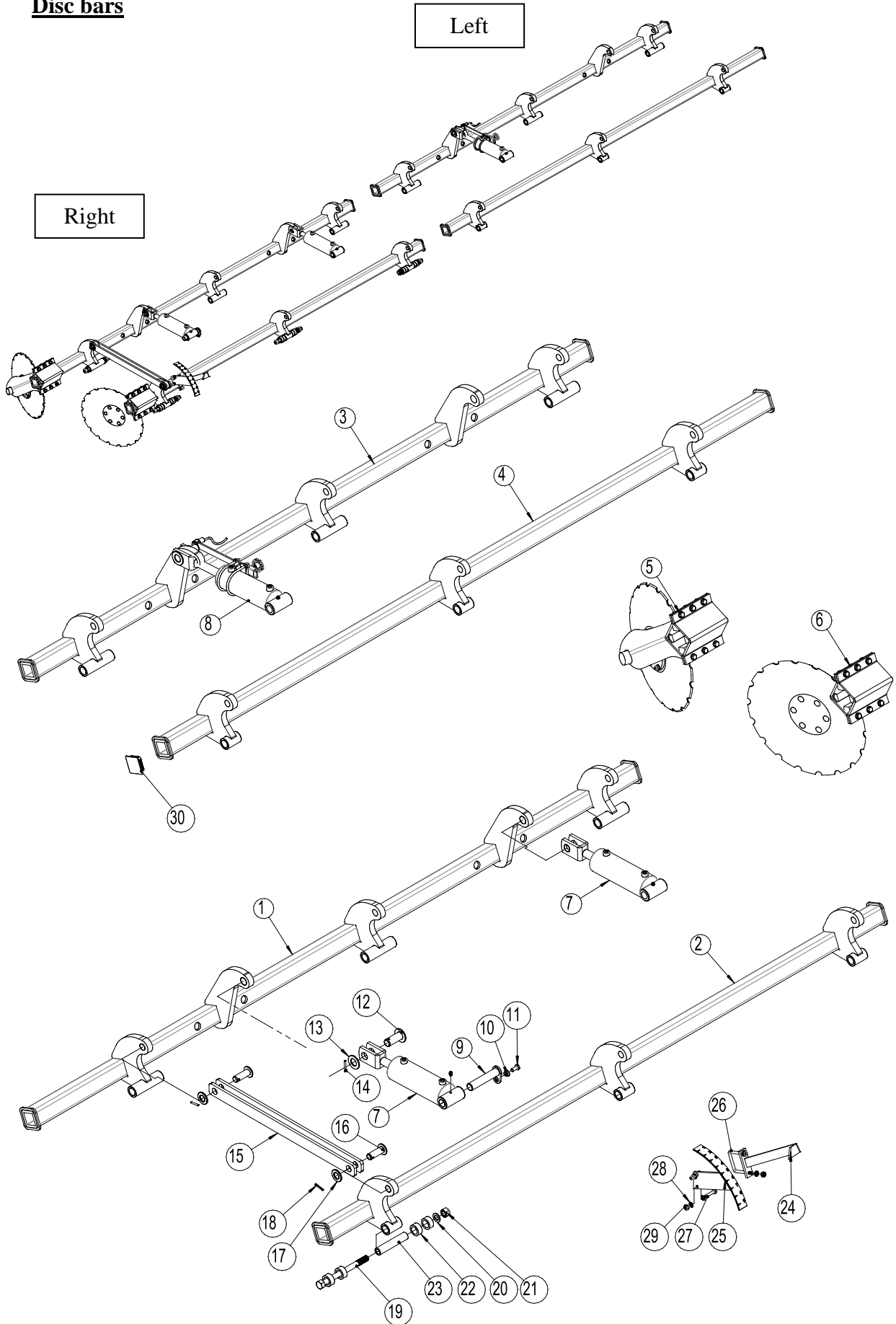


Pos.	Item no.	Designation	4,5m	5,5m
1	7450030	Single U-Profile roller Ø600 L=2240	2	
1	7450031	Single U-Profile roller Ø600 L=2740		2
4	0478972	Bearing HCF 312, 4 holes flange bearing w/eccentric lock washer, steel cast housing	4	4
5	690103215	Hexagon screw M20x70 8.8 UH DIN7991	16	16
6	0272310	Facet washer Ø20	16	16
7	0264110	Self-locking nut M20	16	16
8	690600020	Bushing Ø60 L=20	4	4
9	7330021	Thrust washer, adapted for the welding, Ø82,5xø61 L= 12	4	4
		Scraper bar etc., see page 30		

Notes

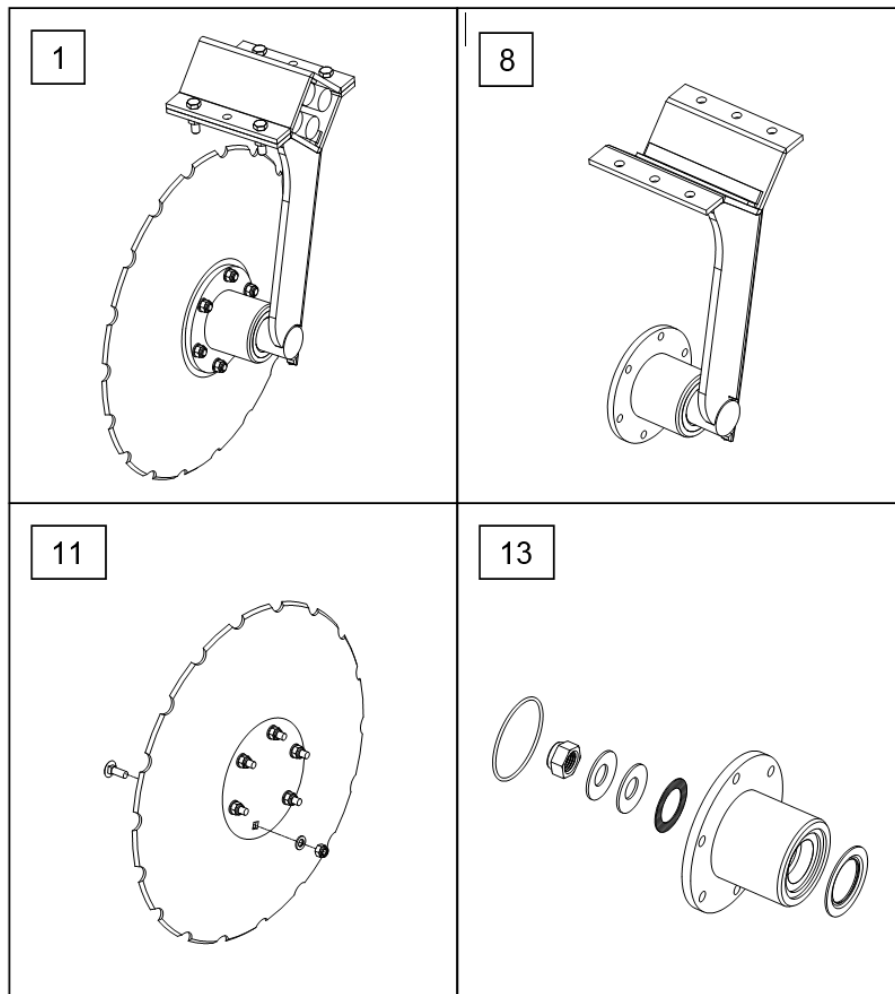
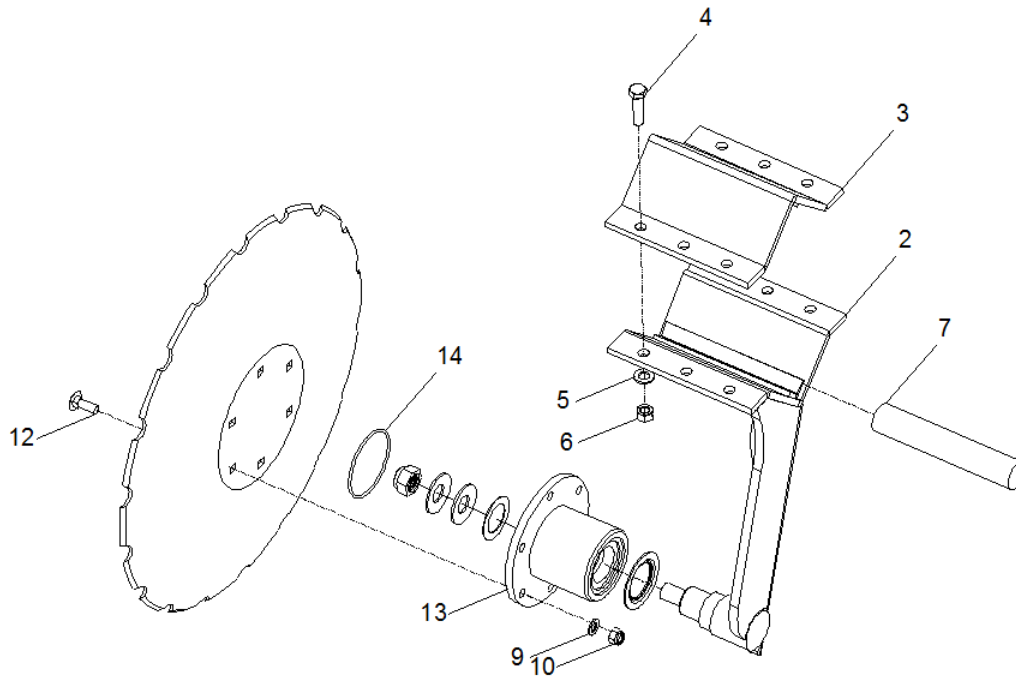
--	--



Disc bars

Pos.	Item no.	Designation	4,5m	5,5m
1	630928705	Disc bar, rear, right	1	
1	630938605	Disc bar, rear, right		1
2	630928707	Disc bar, front, right	1	
2	630938607	Disc bar, front, right		1
3	630928710	Disc bar, rear, left	1	
3	630938609	Disc bar, rear, left		1
4	630928711	Disc bar, front, left	1	
4	630938620	Disc bar, front, left		1
5	630949022	Complete disc, left (see next two pages)		
6	630949012	Complete disc, right (see next two pages)		
7	690200640	Cylinder 85/30x155 Ø30 (right)	1	2
7a	690200641	Gasket set 85/30		
8	690200620	Cylinder 80/30x155 Ø30 (left)	1	2
8a	690200621	Gasket set 80/30		
9	69430145G	Pin Ø30 L=145	2	4
10	630532600	Lock Bush for pin head	2	4
11	690101101	Bolt M12x25 8.8 (with glue)	2	4
12	69530060F	Pin Ø30 L=60	2	4
13	0272350	Facet washer Ø30	2	4
14	0371540	Roll pin Ø6x50 DIN1481	2	4
15	630949077	Parallel bar for bars	8	12
16	69525061F	Pin Ø25 L=58	8	12
17	0272340	Facet washer Ø27	8	12
18	690130132	Roll pin Ø6x40 DIN1481	8	12
19	690103172	Bolt M20x200 10.9 (without Spring-Board)	8	12
20	0272310	Facet washer Ø20	8	12
21	0264110	Self-locking nut M20 DIN985	8	12
22	630949078	Bushing f/arm (loose, l=20)	32	48
23	630929130	Tube Ø30x5 L=148	8	12
24	630933264	Indicator f/depth control on Disc-Roller Contour	1	1
25	630933260	Scale f/ depth control on Disc-Roller Contour	1	1
25a	698500018	Transfer 1-9 scale for depth control	1	1
26	0382110	U-bolt M10 70x70x70	1	1
27	0235080	Bolt M10x45mm, 8.8	2	2
28	0272260	Facet washer Ø10	6	6
29	0264060	Self-locking nut M10	4	4
30	690109202	Plastic plug/tube leg 70x70	8	8

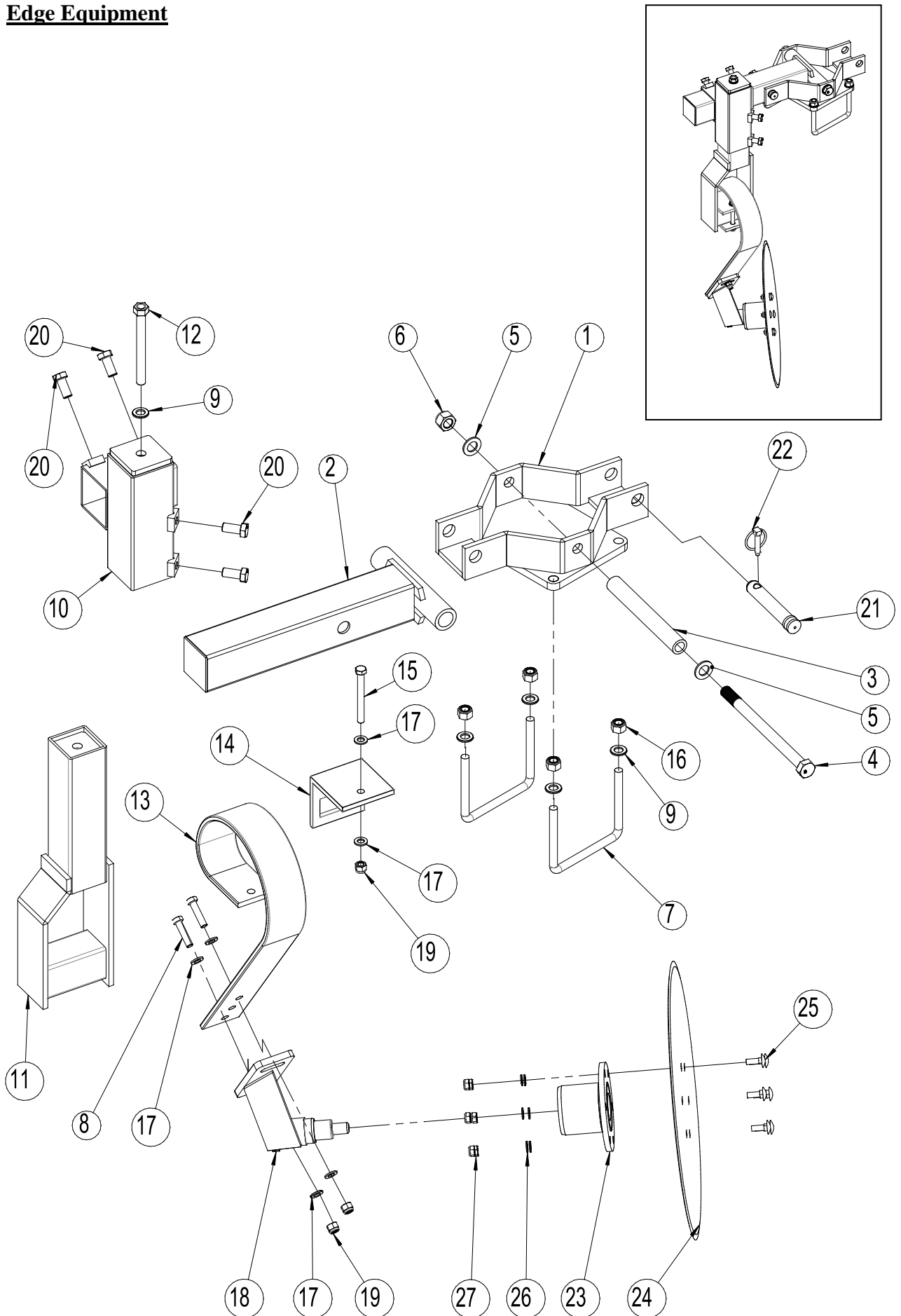


Disc

Pos	Item no.	Designation	Each Disc-stilk
1	630949022	Complete disc (left)	
1	630949012	Complete disc (right)	
2	630949026	Carrier arm (left)	
2	630949016	Carrier arm (right)	
3	630949046	Clamping plate for carrier arm	
4	690103091	Bolt M12x45 10.9	6
5	690117014	Facet washer Ø12	12
6	690113013	Self-locking nut M12 (all-metal)	6
7	690210710	Rubber cord Ø35 L=190	4
8	630949025	Complete carrier arm (left)	
8	630949015	Complete carrier arm (right)	
9	690117012	Facet washer Ø10	6
10	690113005	Self-locking nut M10	6
11	690153508	Sabre Disc, scalloped Ø508 x 4mm w/6 holes and flat centre incl. bolts	
12	690101210	Bolt M10 x 30 8.8 (carrier bolt)	6
13	630949032	Repair outfit incl. Hub	
14	690140910	O-Ring 80 x 3	

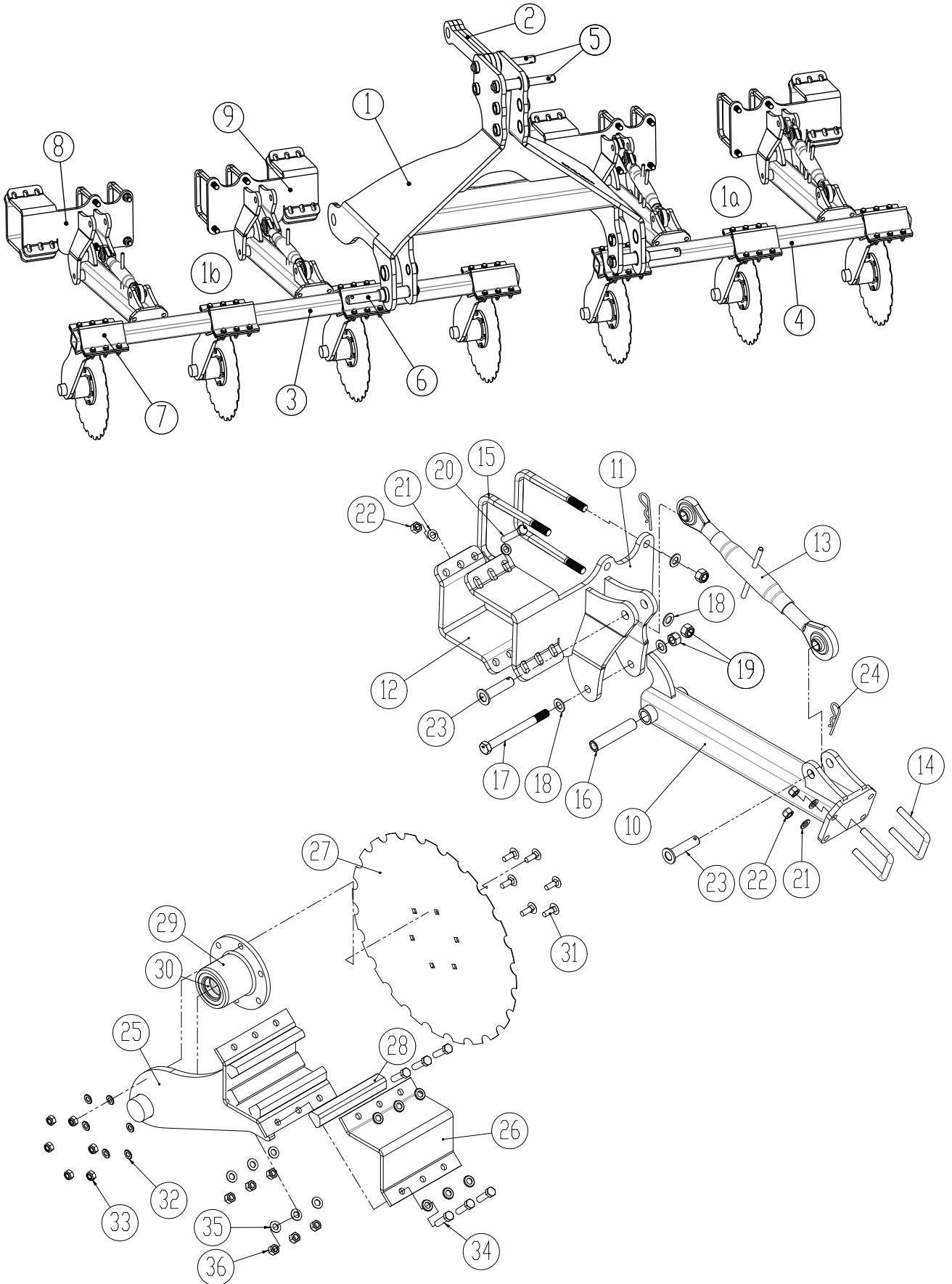


Edge Equipment



Pos.	Item no.	Designation	4,5m	5,5 m
	630943094	Complete edge equipment with 508 mm disc	1	1
1	630943088	Mounted holder	1	1
2	630943090	Mounted link	1	1
3	630943095	BK-tube 30x5 L= 233	1	1
4	690103285	Bolt M20x280 8.8	1	1
5	690117005	Facet washer Ø20	2	2
6	690113009	Self-locking nut M20	1	1
7	690110103	U-bolt M16x100x150x100	2	2
8	690117013	Facet washer Ø16	5	5
9	690113008	Self-locking nut M16	4	4
10	630943099	Mounted spindle cross	1	1
11	630943102	Mounted holder for tine/spindle	1	1
12	630943109	Ass. adjustment bolt	1	1
13	633052050	Spring-Board tine 80x10mm – long	1	1
14	633052200	Clamp for Spring-Board tine	1	1
15	690103098	Bolt M12x110 10.9	1	1
16	690117014	Facet washer Ø12	6	6
17	690113006	Self-locking nut M12	3	3
18	630943080	Mounted bracket	1	1
19	690103096	Bolt M12x50 8.8	2	2
20	690103117	Bolt M14x40 8.8 set bolt	4	4
21	69525107J	Pin ø28 L=107	1	1
22	690134004	Ring pin Ø10	1	1
23	630949035	Hub	1	1
24	690153509	Disc, plain, ø508x4,0mm	1	1
25	690101210	Carrier bolt M10x30 8.8	6	6
26	690117012	Facet washer Ø10	6	6
27	690113005	Self-locking nut M10	6	6

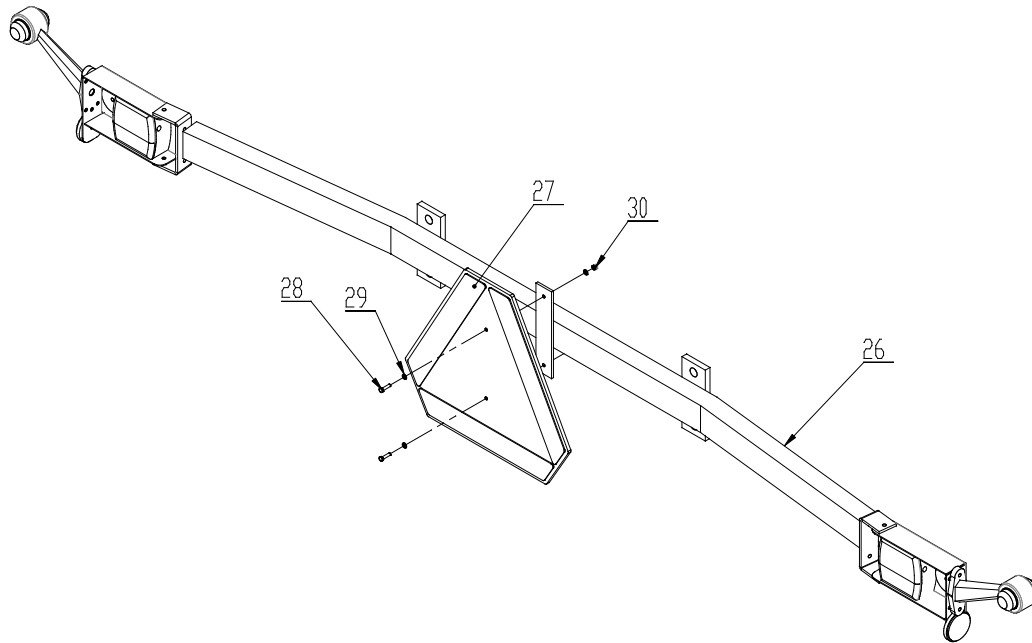
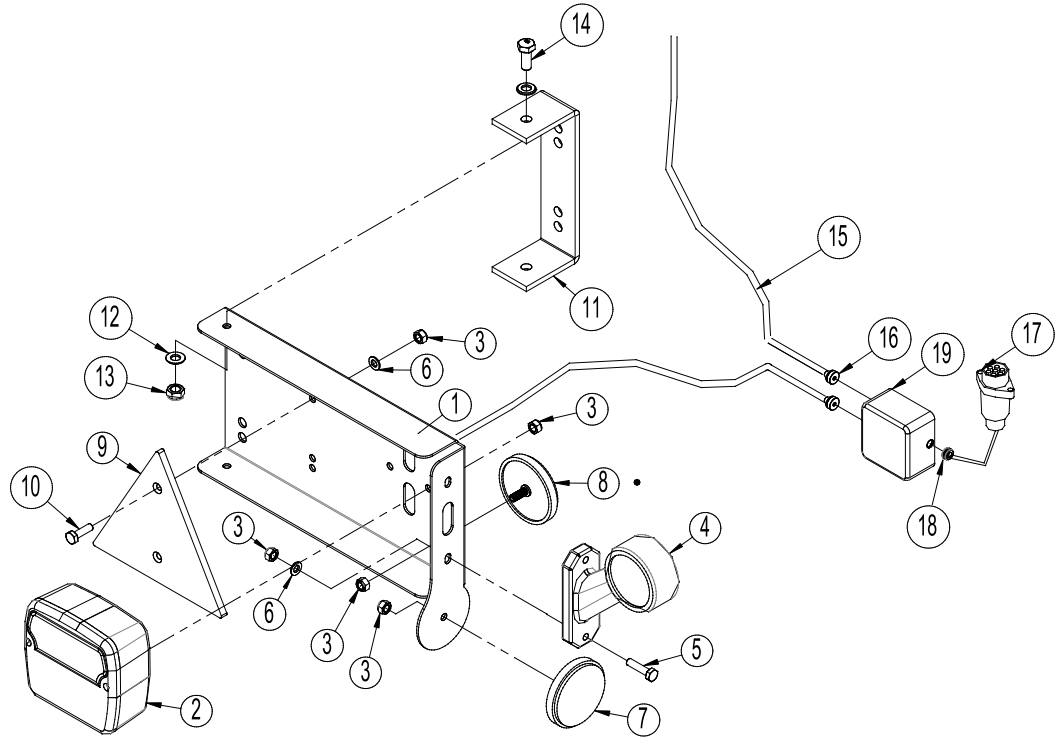


Disc cutter in front of tines (additional equipment)

Pos.	Item no.	Designation	4,5m	5,5 m
1	1310108	Middleframe for disc-cutter bars	1	1
1a	1310079	Left section complete	1	
1b	1310044	Right section complete	1	
2	1310118	Toplink CC=450 mm	1	1
3	1310045	Bar 70x70x8 L = 2030 mm	1	1
		Bar 70x70x8 L =		
4	1310107	Bar 70x70x8 L = 1430 mm	1	1
		Bar 70x70x8 L =		
5	69532105C	Round steel Ø45 – SB27M12CB	2	2
6	69537125C	Round steel E360 (St. 70-2)	2	2
7	1310029	Disc cutter section right w/Ø470 disc	7	9
8	-	Horn left orientation (pos. 10 – 24)	2	2
9	-	Horn right orientation (pos. 10 – 24)	2	2
10	1310080	Suspension for bar	4	4
11	1310076	Suspension for disc cutter left	2	2
11	1310061	Suspension for disc cutter right	2	2
12	645200061	Mounting bracket	4	4
13	690302011	Toplink M36, 450 – 580 mm	4	4
14	0382150	U-bolt M16x70x70x70	8	8
15	690110500	U-bolt M20x180x180x180	8	8
16	1310075	Steelpipe Ø30x5 L=145	4	4
17	690103178	Bolt M20x220 10.9	4	4
18	690117005	Facet washer Ø20	40	40
19	0264110	Self-locking nut M20	20	20
20	0238850	Bolt M16x90 10.9	16	16
21	0272290	Facet washer Ø16 DIN125B	32	32
22	0264090	Self-locking nut M16	16	16
23	6952587F	Pin Ø25 L=87	8	8
24	0377600	Hair clip Ø6	8	8
25	1310032	Stilk, complete for Ø470 disc cutter	7	9
26	30949045	Bracket for rubber suspension	7	9
27	0427854	Disc cutter Ø470	7	9
28	690210710	Rubber profile Ø35 L=190 mm	28	36
29	630949035	Hub, complete	7	9
30	630949036	Repair kit for hub, (excl. hub)	7	9
31	0248421	Carriage bolt M10x30, 8.8 fzb DIN 603	42	54
32	0272260	Facet washer Ø10 mm fzb DIN125B	42	54
33	0264060	Self-locking nut M10 DIN 985	42	54
34	690103091	Bolt M12x45 10.9	42	54
35	0272270	Facet washer Ø12, fzb DIN125B	84	108
36	690113013	Self-locking nut M12	42	54



Lights



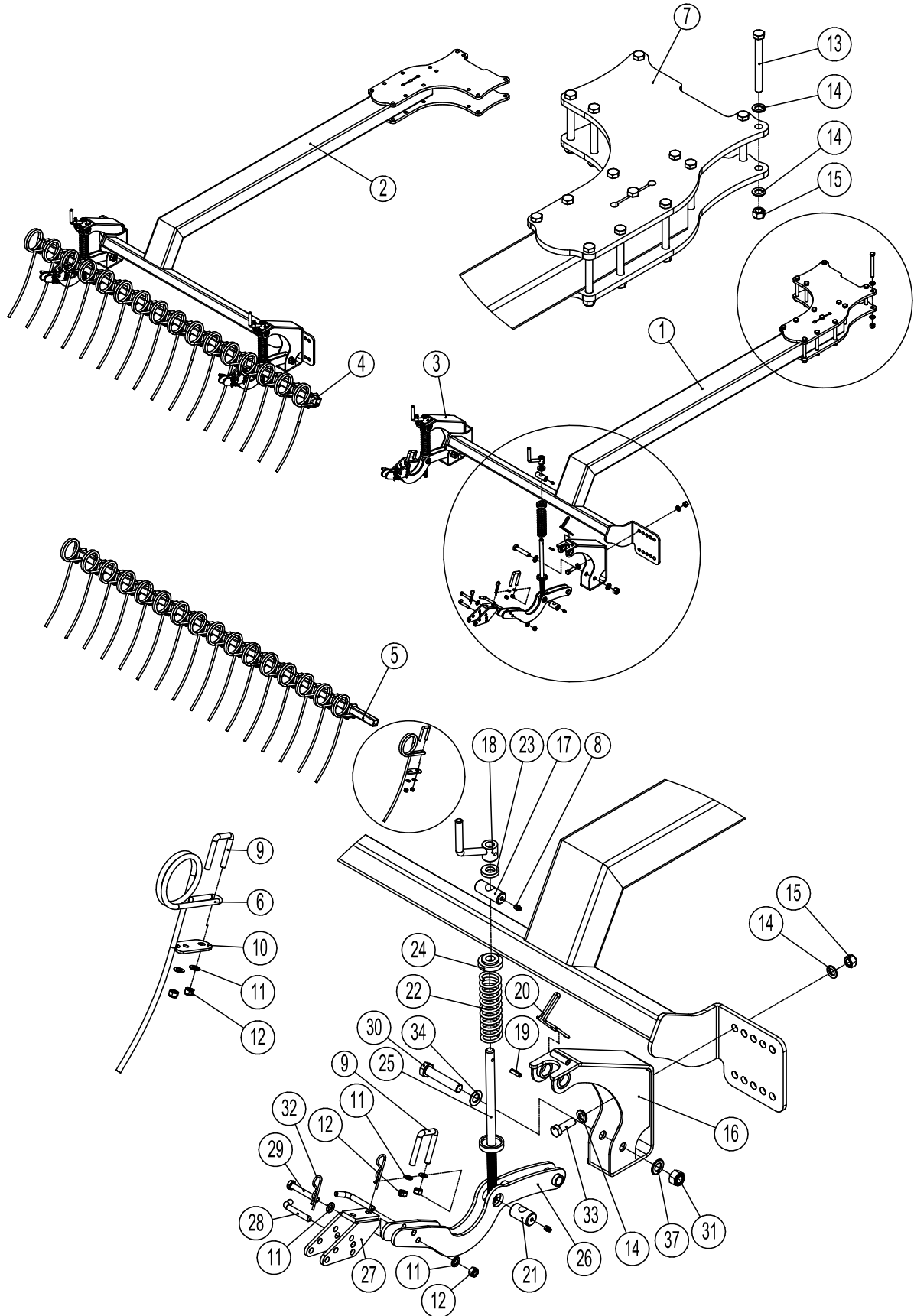
Pos.	Item no.	Designation	Pcs.
1	7357505	Lightbox (L)	1
	7357508	Lightbox (R)	1
2	7357504	Rear light	2
3	0264030	Locking nut M5	16
4	7357507	Marking lights (L)	1
	7357509	Marking lights (R)	1
5	0234340	Bolt M5x25	4
6	0272240	Facet washer Ø5	8
7	0656240	Reflex, yellow	2
8	0656250	Reflex, white	2
9	0521030	Reflex, red	2
10	0233860	Bolt M6x20	4
11	7357516	Bracket	2
12	0234330	Facet washer Ø8	16
13	0264040	Self-locking nut M8	8
14	0234330	Bolt M8x20	4
15	690160080	Cable 5 x 1mm ² (Inform about length by ordering sparepart)	
16	7357545	Rutaseal nipple M20 8-12mm Grey RAL7001	2
17	690160070	Plug 7 poles DIN 72 577 – ISO 1724	1
18	7357546	Rubberbushing Nr. 38A Ø10/3 black	1
19	0520492	Junction box 105x105x60	1
26	630835015	Lighting bar	1
27	690142001	Warning triangle	1
28	690103014	Bolt M5 x 20	1
29	690117002	Facet washer Ø5	2
30	690113002	Self-locking nut M5	4

Notice:

Check number and measurements of all cables before ordering the spare parts.



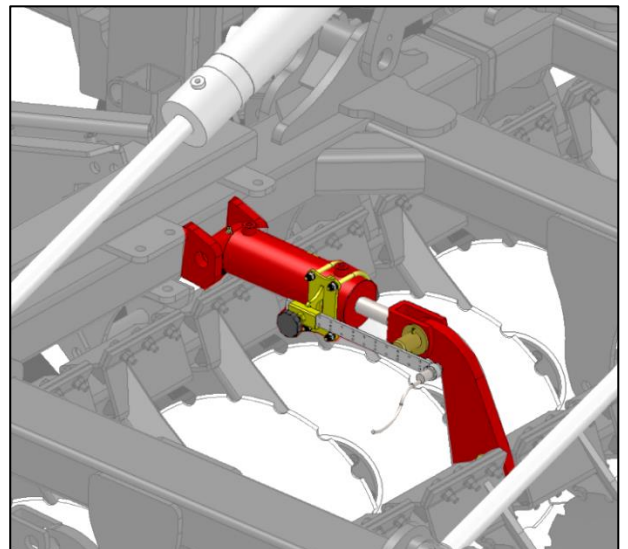
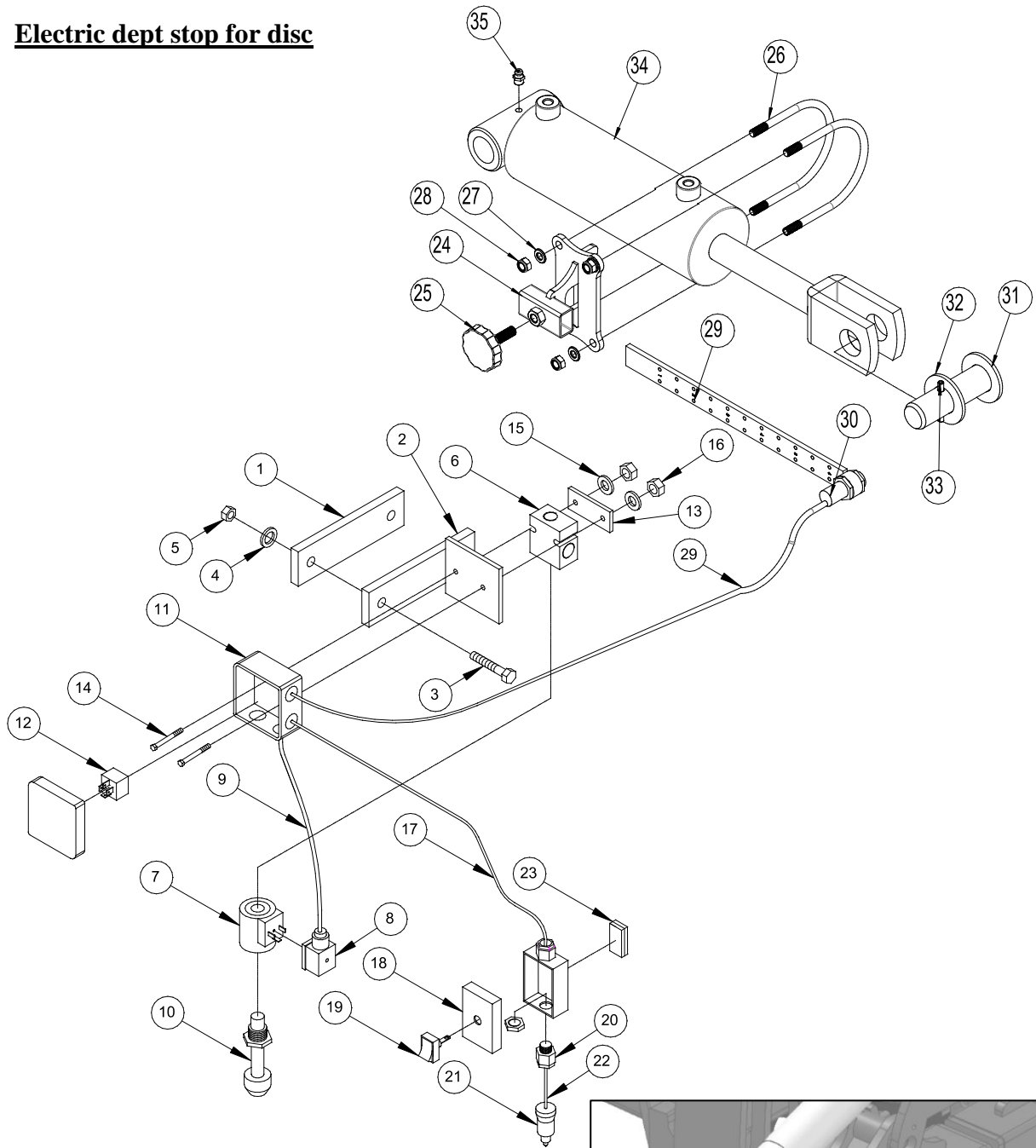
Longfinger harrow (additional equipment)



Pos.	Item no.	Designation	Pcs.
1	1300192	Arm for after harrow, right	1
2	1300193	Arm for after harrow, left	1
3	1140969	Complete holder for bar	4
4	1300158	Bar 40x40x5 L=2230, left	1
5	1300147	Bar 40x40x5 L=2390, right	1
6	0426125	Long finger tine Ø12	33
7	1300336	Plate for mounting arm on the Disc-Roller	4
8	0432500	Lubrication nipple M8	4
9	690110050	U-bolt M12 40x40x40	37
10	1012521	Clamping plate	33
11	0272270	Faceted washer Ø12 DIN 125B fzb	78
12	0264070	Self-locking nut M12, DIN 985	82
13	0335955	Bolt M16x160 8.8 fzb	28
14	0272290	Faceted washer Ø16 DIN125B	72
15	0264090	Safety nut M16	36
16	1140966	Console for bar holder	4
17	101147-0	Bearing for spindle	4
18	103626-0	Crank	4
19	0371660	Roll pin Ø8x32 mm	4
20	0431980	Spindle keeper Ø5	4
21	101230-0	Spindle nut	4
22	0431250	Spring Ø6x44x180x12v	4
23	101141-0	Stop ring Ø40x8	4
24	1170460	Disc centring spring	4
25	1170467	Spindle	4
26	1170468	Arm	4
27	1170469	Adjustment assembly	4
28	1170478	Pin Ø12	8
29	0235440	Bolt M12x80 8.8 fzb	4
30	0236190	Bolt M20x100 8.8 fzb	4
31	0264110	Self-locking nut M20	4
32	0264060	Hair-clip Ø4	8
33	690103197	Bolt M16x50 8.8	8
34	0272310	Faceted washer Ø20 DIN125B	4



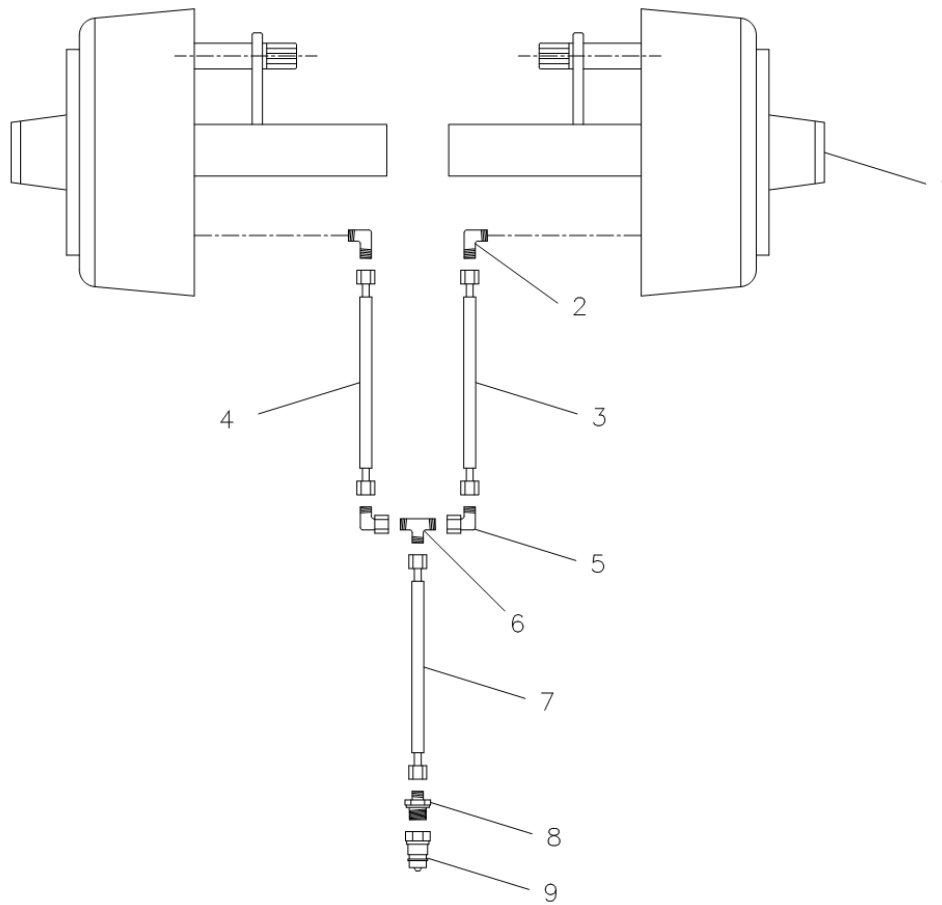
Electric dept stop for disc



Pos.	Item no.	Designation	Pcs.
1	630932034	Clamping plate f/el-depth stop	1
2	630932035	Bracket f/connection box on el-depth stop	1
3	0235400	Bolt M12x60 8.8	2
4	0272270	Facet washer Ø12	2
5	0264070	Self-locking nut M12 DIN985	2
6	0442763	Valve block 4B 10/2 1/2"	1
7	0442764	Magnet coil 12VDC 20W	1
8	690209030	Plug f/solenoid valve DIN 43650	1
9	0525060	Cable 2x0,75 mm ² L = 0.32m	1
10	0442762	Valve 10 NO (57 ltr)	1
11	0520490	Connection box 80x80x50 (white)	1
12	0527120	Relay 12V/30A	1
13	630941061	Clamping plate f/valve block	1
14	0234400	Bolt M6x60 8.8	2
15	0272240	Facet washer Ø6	2
16	0264040	Self-locking nut M6 DIN985	2
17	0525060	Cable 2x0,75 mm ² L = 4.5m	1
18	690209486	Connection box 72x50x41	1
19	0527135	Switch 0-1 (red) Ø12 hole mounting	1
20	690209475	Connector PG11 w/nut	2
21	0442766	Plug 2 poles +/- 12V	1
22	0525060	Cable 2x0,75 mm ² L = 1.0m	1
23	690210720	Velcro band L=65 mm	1
24	1300085	Bracket f/scale/inductive sensor	1
25	0489103	Thumbscrew M8x20	1
26	690110001	U-bolt M8 Ø92	2
27	0272250	Facet washer Ø8	4
28	0264050	Self-locking nutk M8	4
29	1115480	Scale	1
30	0442768	Inductive sensor M18 (incl. cable)	1
31	69530056F	Pin Ø30 L=56	1
32	0272350	Facet washer Ø30	2
33	0371540	Roll pin ø6x50mm, fzb DIN1481	4
34	690200620	Cylinder 80/30x155mm gaffel/ø30	2
34a	690200621	Gasket set 80/30	
35	0432510	Lubricating nipple, straight H1 M8x1,25	1



Hydraulic brake



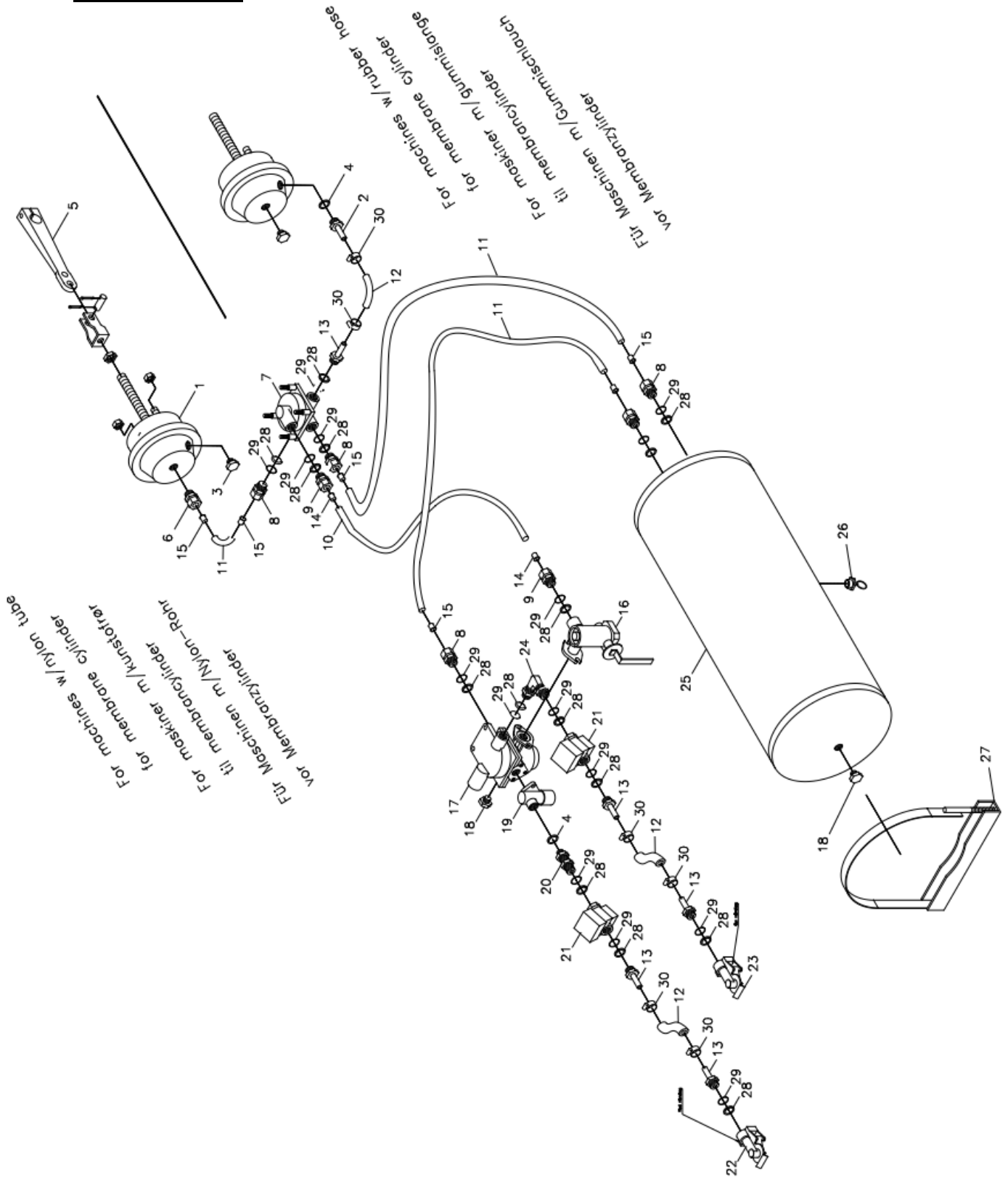
Pos.	Item no.	Designation	4,5 m	5,5 m
1		See pages with wheelframes	2	2
2	690203106	Fitting, 90angle 12-3/8" BSP	2	2
3	690201020	Hydr. hose 1625 mm 1/4" st/st	1	1
4	690201020	Hydr. hose 1625 mm 1/4" st/st	1	1
5	690203016	Fitting 90angle 10mm	2	2
6	690203015	Fitting T10	1	1
7	690201012	Hydr. hose 6000mm 1/4" st/st	1	1
8	690203003	Fitting, straight 10-1/2" BSP	2	2
9	690203001	Quick coupling, male E402 1/2"	2	2

Notice:

Check number and measurements of all hoses before ordering the spare parts.



Pneumatic brake



Pos.	Item no.	Designation	w/nylon tube for membrane cyl.	w/rubber hose for membrane cyl.
1	690190001	Membrane cylinder 16"	2	2
2	690190070	Hose fittings M16x1,5 m/ Ø12	0	2
3	690190005	Test fitting, straight M16x1,5	2	2
4	690208102	Bonded seal PP 45-12	1	3
5	690190010	Mounting set, short U-bracket	2	2
6	690202930	Fitting, straight M16x1,5, Ø15 hose	2	0
7	690190015	Relay valve M22x1,5	1	1
8	690202941	Fitting, straight M22x1,5, Ø15 hose	6	4
9	690202940	Fitting, straight M22x1,5, Ø10 hose	2	2
10	690190080	Nylon tube Ø10x1mm	1	1
11	690190085	Nylon tube Ø15x1,5mm	4	2
12	690190105	Hose Ø14,5x5mm	2	4
13	690190073	Hose fitting M22x1,5, m/Ø12	4	6
14	690190090	Support bushing f/tube Ø10x1,5mm	2	2
15	690190095	Support bushing f/tube Ø15x1,5mm	8	4
16	690190020	Brake power regulator M22x1,5	1	1
17	690190025	Trailer air brake valve M22x1,5	1	1
18	690190026	Plug	2	2
19	690190035	Relief valve	1	1
20	690203420	Fitting, straight M16x1,5+M22x1,5	1	1
21	690190040	Filter M22x1,5	2	2
22	690190045	Hose coupling M22x1,5 (red)	1	1
23	690190046	Hose coupling M22x1,5 (yellow)	1	1
24	690190030	V-fittings M22x1,5	1	1
25	690190050	Air receiver 40ltr	1	1
26	690190051	Drainage valve	1	1
27	690190052	Suspension for air receiver	2	2
28	690190060	Pressure ring M22x1,5	15	15
29	690190065	O-ring M22x1,5	15	15
30	690109305	Hose clamp 15-24 mm	4	8

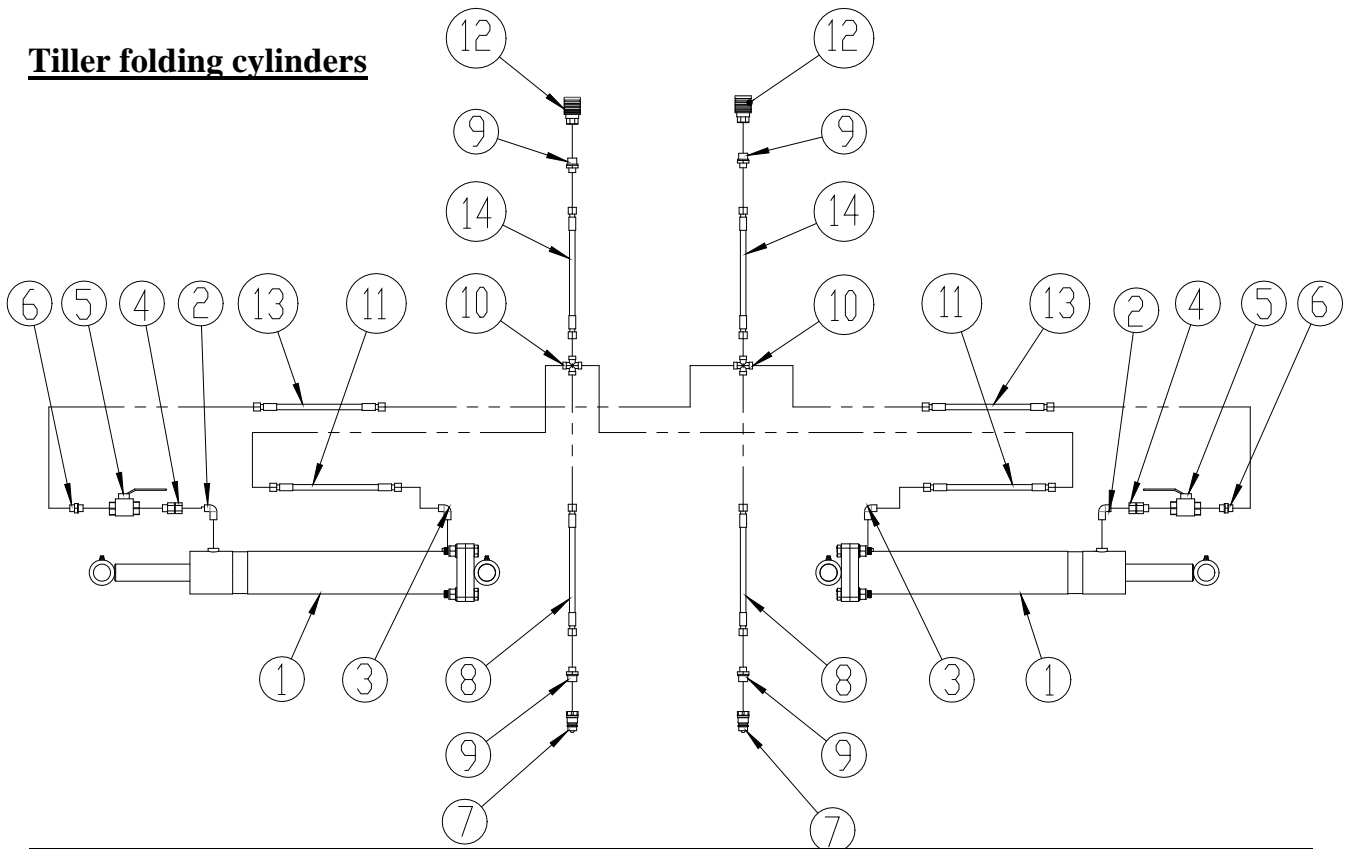
Notice:

Check number and measurements of all hoses before ordering the spare parts.



Hydraulic

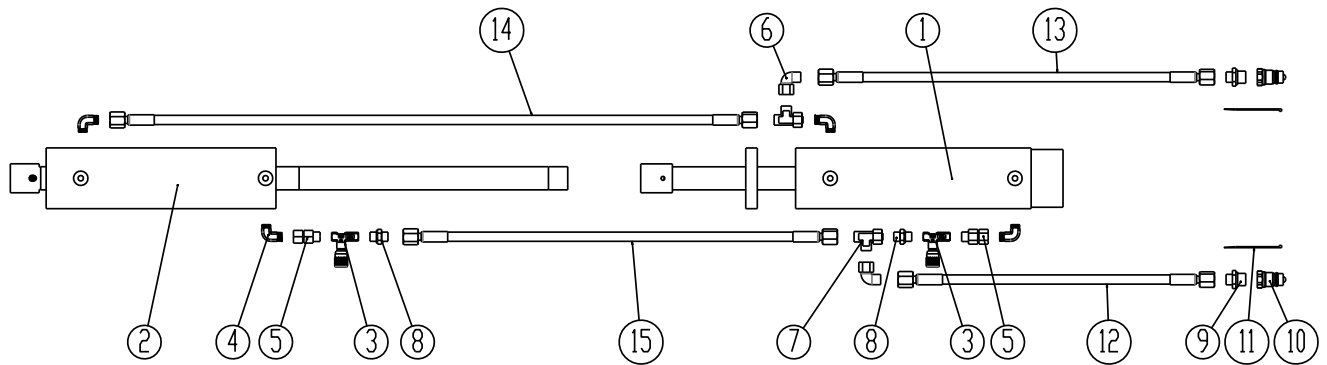
Tiller folding cylinders



Pos.	Item no.	Designation	Pcs.
1	690200255	Cylinder 90/40x500	2
1a	690200274	Gasket set 90/40 (Laizhou)	
2	690203106	Fitting, 90° 12-3/8" BSP	2
3	690203006	Fitting, 90° 10-3/8" BSP	2
4	690203130	Fitting straight 12 with O-ring	2
5	690202990	Ball valve 3/8"	2
6	690203002	Fitting straight 10-3/8" BSP	2
7	690203001	Quick coupling 1/2", male	2
8	690201029	Hydraulic hose 4300 mm 1/4" st/st	2
9	690203003	Fitting straight Ø10 x1/2" BSP	4
10	690203019	Connector 4-way 10 mm	2
11	690201015	Hydraulic hose 710 mm 1/4" st/st	2
12	690203000	Quick coupling 1/2" female	2
13	690201067	Hydraulic hose 790 mm 1/4" st/st	2
14	690201060	Hydraulic hose 3000 mm 1/4" st/st	2

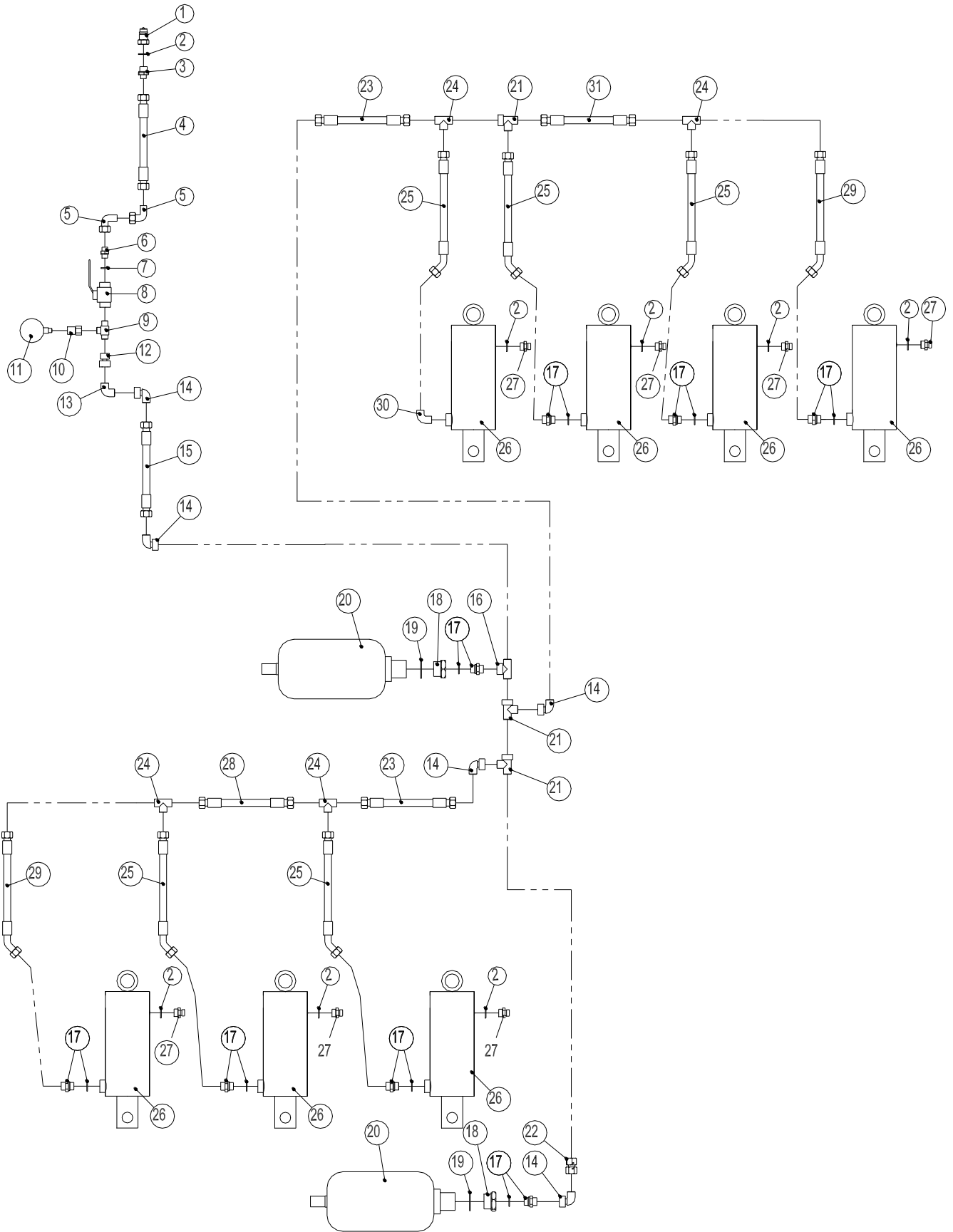


Drawbar and transport wheels



Pos.	Item no.	Designation	Pcs.
1	7345073	Cylinder 100/50x280mm Ø40/Ø45 with depth adjustment <i>See chapter: Drawbar and cylinder, page 4</i>	1
1	7345057	Cylinder 100/50x280mm Ø40/Ø45 w/stop ring <i>only cylinder</i>	1
2	7345049	Cylinder for transport wheels 90/40x285 Ø30,25/Ø40,5 <i>before serial no. 350873</i>	1
	690200274	Gasket set 90/40 (Laizhou)	
2	7345095	Cylinder for transport wheels 100/40x285 Ø40,5/Ø40,25 <i>after serial no. 350873</i>	1
	690200296	Gasket set 100/40 (Laizhou)	
3	690207130	Restrictor valve, adjustable 3/8"	2
4	690203106	Fitting 90° 12-3/8" BSP	4
5	690203130	Fitting straight 12 with O-ring	2
6	690203112	Fitting 90° 12 mm adjustable	2
7	690203017	Fitting adjustable T12 L with O-ring	2
8	0446754	Fitting straight Ø12 x 3/8"	2
9	690203103	Fitting straight Ø12 x 1/2" BSP	2
10	690203001	Quick coupling 1/2", male	2
11		Straps	2
12	690201232	Hydraulic hose 3/8" st/st L= 3520 mm	1
13	690201234	Hydraulic hose 3/8" st/st L= 3800 mm	1
14	690201228	Hydraulic hose 3/8" st/st L= 2300 mm	1
15	690201202	Hydraulic hose 3/8" st/st L= 2025 mm	1

Hydraulics for stone protection

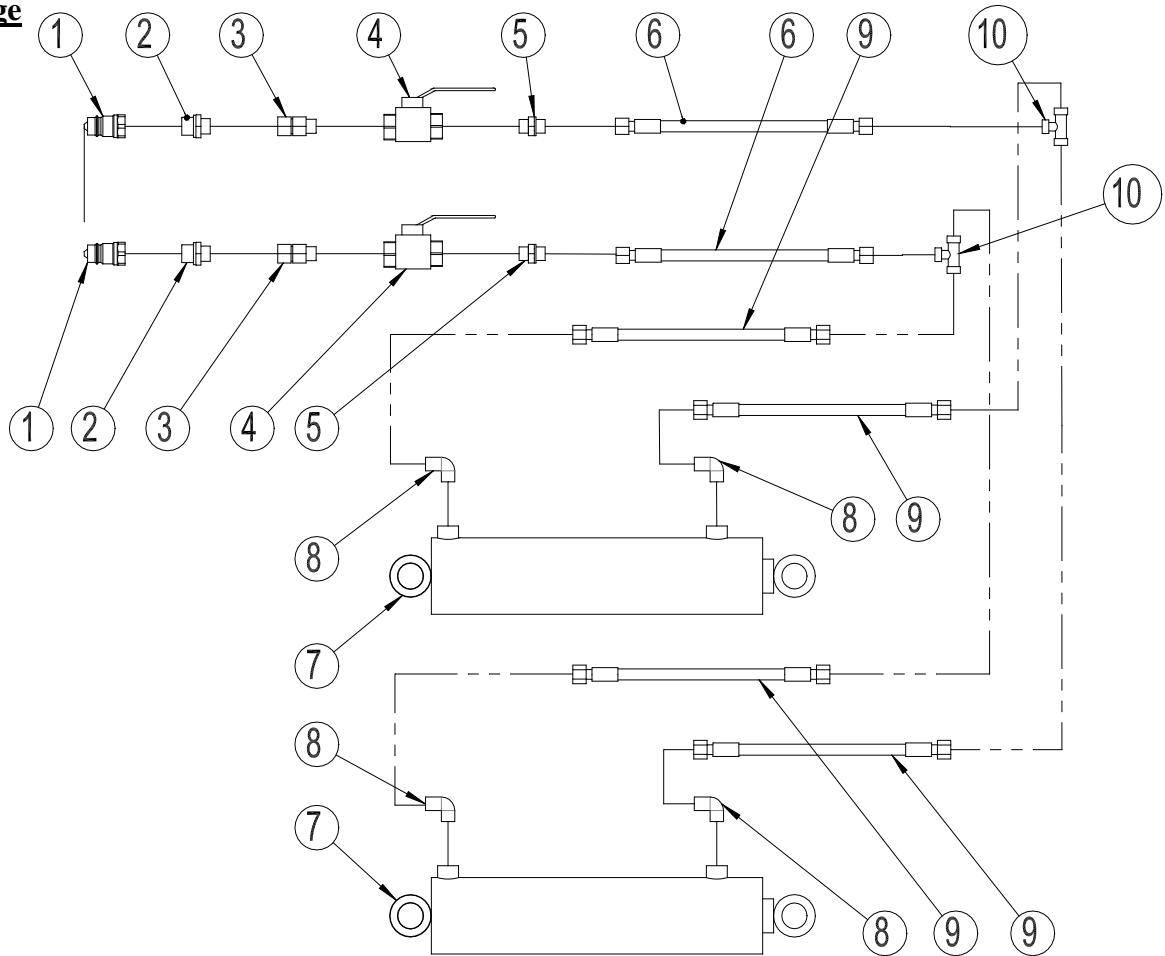


Pos.	Item no.	Designation	4 m - 7 tines	5 m - 9 tines
1	690203001	Quick coupling ½” E402, male	1	1
2	690208108	Bonded seal Ø21,5x28,6x2,0 ½” BSP	8	8
3	690203003	Fitting, Ø10-½” BSP	1	1
4	690201432	Hydraulic hose 2300 mm ½” st/st	1	1
5	690203016	Fitting 90angle Ø10	2	2
6	690203002	Fitting, Ø10-¾” BSP	1	1
7	690208096	Bonded seal Ø17,3x23,8x2,0 ¾” BSP	1	1
8	690202990	Ball valve ¾”	1	1
9	690203314	Fitting T ¾”-Ø12-Ø12	1	1
10	690206825	Pressure gauge fitting Ø12-¼”	1	1
11	690206824	Pressure gauge 0-400 bar	1	1
12	690204506	Reversed fitting Ø15 / Ø12	1	1
13	690204508	Fitting Ø15	1	1
14	690204500	Fitting 90angle Ø15 mm w/union nut	5	5
15	690201445	Hydraulic hose 1150 mm ½” st/st	1	1
16	690204505	Fitting T Ø15	1	1
17	690204512	Fitting, straight Ø15x½” w/o-ring	7	7
18	690204501	Fitting, straight ½”x¼”	2	2
19	690208111	Bonded seal Ø42,93x52,38x3,0 1 ¼”	2	2
20	690206513	Accumulator 4.5 L 90 bar	2	2
21	690204502	Fitting T Ø15 L.	3	3
22	690204509	Reversed fitting Ø15 w/o-ring	1	1
23	690201449	Hydraulic hose 850 mm ½” st/st	2	2
24	690204507	Fitting T Ø15	4	4
25	690201430	Hydraulic hose 590 mm ½” st/45°	5	5
26	690200114	Cylinder 100/50xØ35/Ø30 rod end-clevis	7	7
26a	690200285	Pakningssæt 100/50 (Laizhou)		
27	690206002	Filter plug ½”	7	7
28	690201458	Hydraulic hose 690 mm ½” st/st	1	1
29	690201448	Hydraulic hose 1150 mm ½” st/45°	2	2
30	690203151	Fitting ½”	1	1
31	690201431	Hydraulic hose 600 mm ½” st/st	1	1

Notice:

Check number and measurements of all hoses before ordering the spare parts.

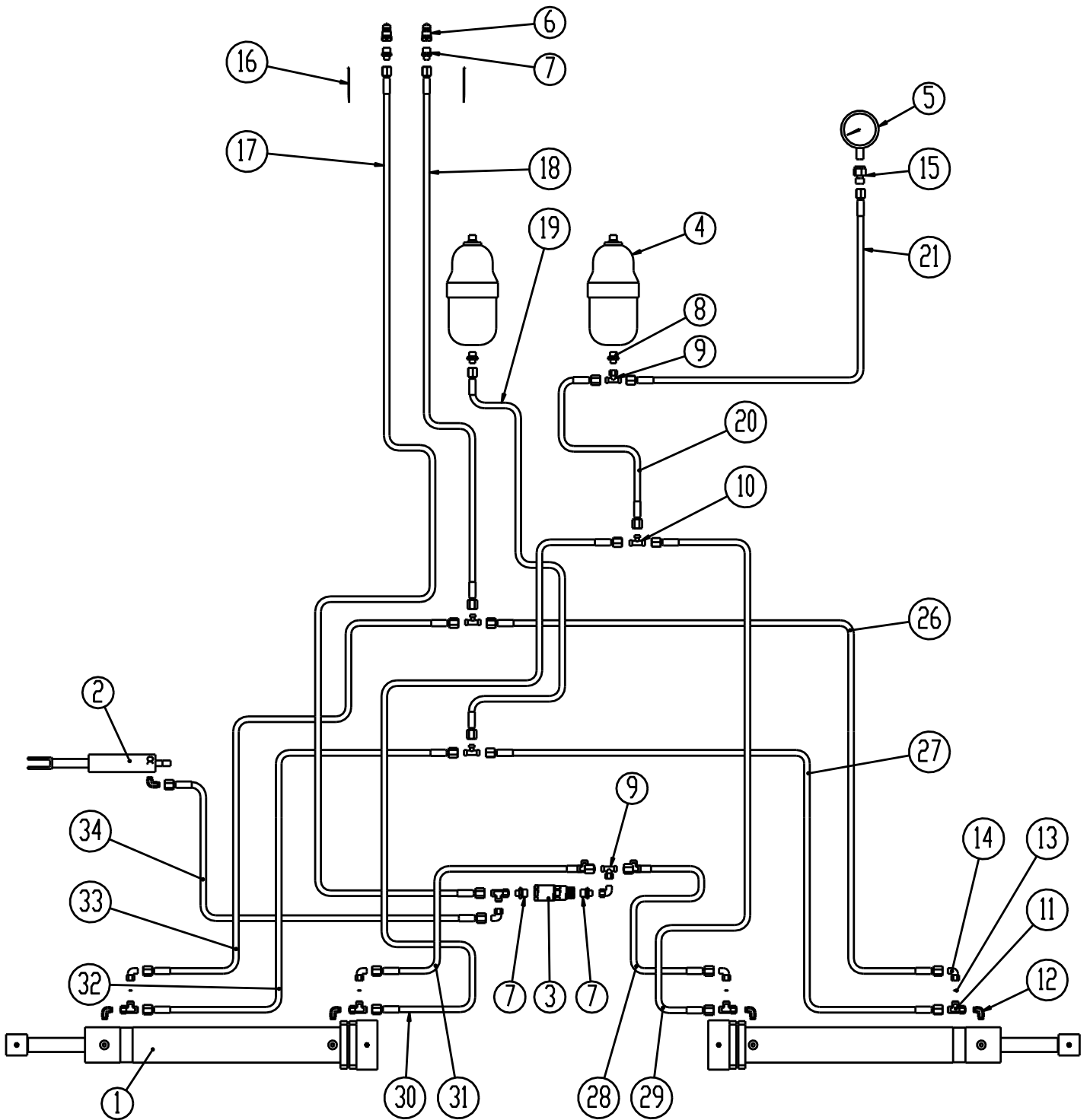


Linkage


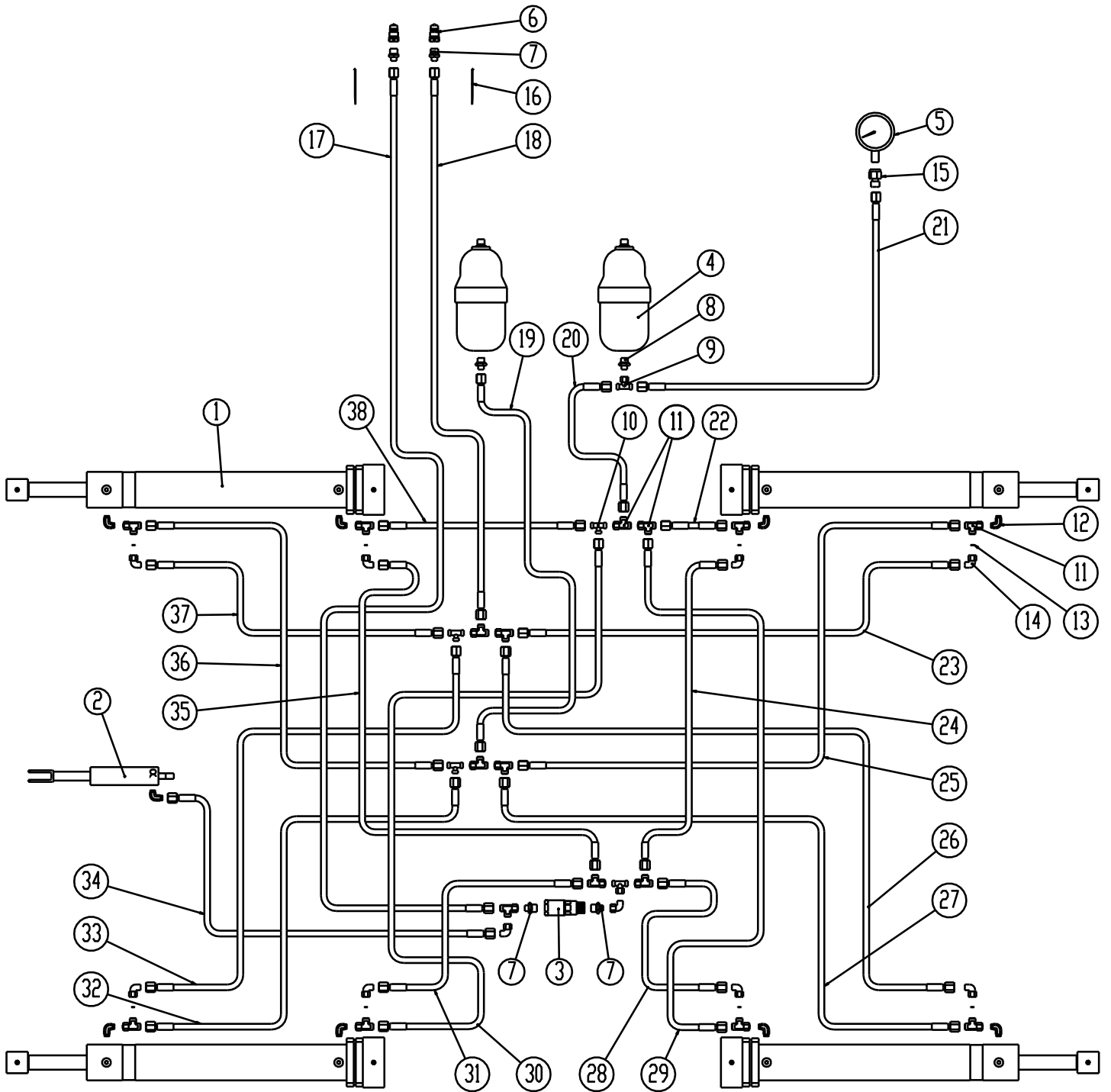
Pos.	Item no.	Designation	Pcs.
1	690203001	Quick coupling 1/2", male	2
2	690203103	Fitting straight Ø12 x1/2" BSP	2
3	690203130	Fitting 12 mm with O-ring	2
4	690202990	Ball valve 3/8"	2
5	690203002	Fitting, straight 10-3/8" BSP	2
6	690201004	Hydraulic hose 4950 mm 1/4" st/st	2
7	690200200	Cylinder 80x40x280 ø30/ø30	2
7a	690200143	Pakningssæt 80/40 (Laizhou)	
8	690203006	Fitting 90angle 10-3/8" BSP	4
9	690201042	Hydraulic hose 500 mm 1/4" st/st	4
10	690203015	Fitting T10	2



Folding 4,5m



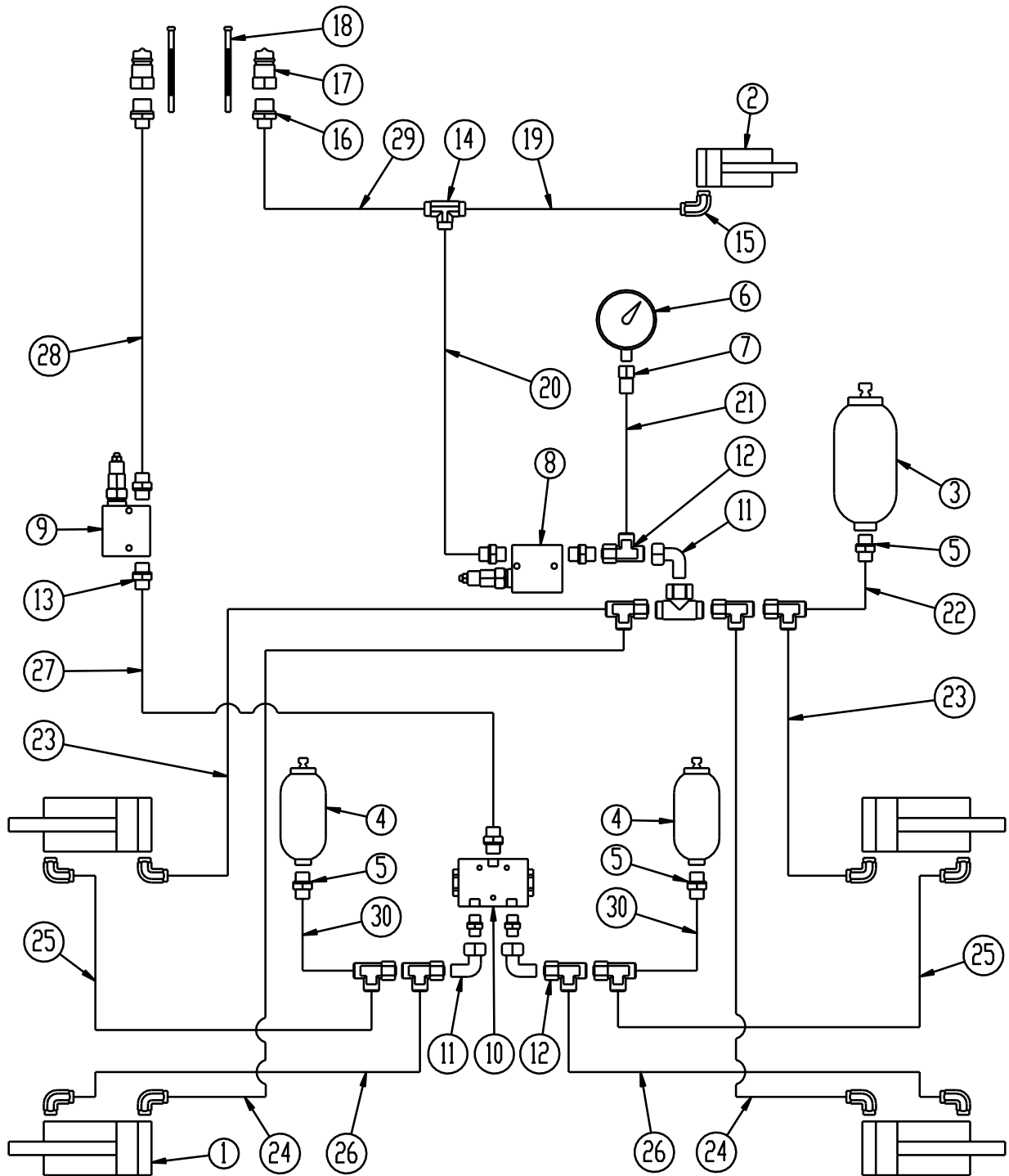
Folding 5,5 m



Pos.	Item no.	Designation	4,5 m	5,5 m
1	690200252	Cylinder 90/40 x 600 Ø40	2	4
1a	690200296	Gasket set 90/40 (Hydraflex)		
2	690200170	Cylinder 40/25 x 80	1	1
2a	690200175	Gasket set 40/25 mm		
3	0442450	Sequential valve 1/2"	1	1
4	690206510	Accumulator HST 2,3 L 40 bar	2	2
5	690206822	Manometer 250 bar, Ø100	1	1
6	0444020	Quick coupling 1/2", male	2	2
7	0446752	Fitting straight Ø10 x 1/2"	4	4
8	690203096	Fitting straight M18x1,5 x Ø10	2	2
9	690203014	Fitting T10 L premounted w/ O-ring	2	2
10	690203015	Fitting connector T10	3	3
11	690203120	Fitting T10 L premounted w/ O-ring	5	17
12	690203006	Fitting, 90° angle 10 – 3/8" BSP	5	9
13	690207901	Restrictor Ø1 mm	4	8
14	690203016	Fitting 90° 10 mm premounted w/ O-ring	6	10
15	690206823	Manometer fitting Ø10 x 1/2"	1	1
16	-	Cable straps (blue)	2	2
17	690201026	Hydraulic hose 1/4" L = 5350 mm	1	1
18	690201026	Hydraulic hose 1/4" L = 5350 mm	1	1
19	0454171	Hydraulic hose 1/4" L = 500 mm	1	1
20	0454171	Hydraulic hose 1/4" L = 500 mm	1	1
21	690201053	Hydraulic hose 1/4" L = 1260 mm	1	1
22	0454313	Hydraulic hose 1/4" L = 1130 mm	-	1
23	690201020	Hydraulic hose 1/4" L = 1625 mm	-	1
24	0454313	Hydraulic hose 1/4" L = 1130 mm	-	1
25	690201020	Hydraulic hose 1/4" L = 1625 mm	-	1
26	0454313	Hydraulic hose 1/4" L = 1130 mm	1	1
27	0454313	Hydraulic hose 1/4" L = 1130 mm	1	1
28	0454171	Hydraulic hose 1/4" L = 500 mm	1	1
29	0454171	Hydraulic hose 1/4" L = 500 mm	1	1
30	0454171	Hydraulic hose 1/4" L = 500 mm	1	1
31	0454171	Hydraulic hose 1/4" L = 500 mm	1	1
32	0454313	Hydraulic hose 1/4" L = 1130 mm	1	1
33	0454313	Hydraulic hose 1/4" L = 1130 mm	1	1
34	690201060	Hydraulic hose 1/4" L = 3000 mm	1	1
35	0454313	Hydraulic hose 1/4" L = 1130 mm	-	1
36	690201020	Hydraulic hose 1/4" L = 1625 mm	-	1
37	690201020	Hydraulic hose 1/4" L = 1625 mm	-	1
38	0454313	Hydraulic hose 1/4" L = 1130 mm	-	1



Folding 5,5 m from machine number 355570



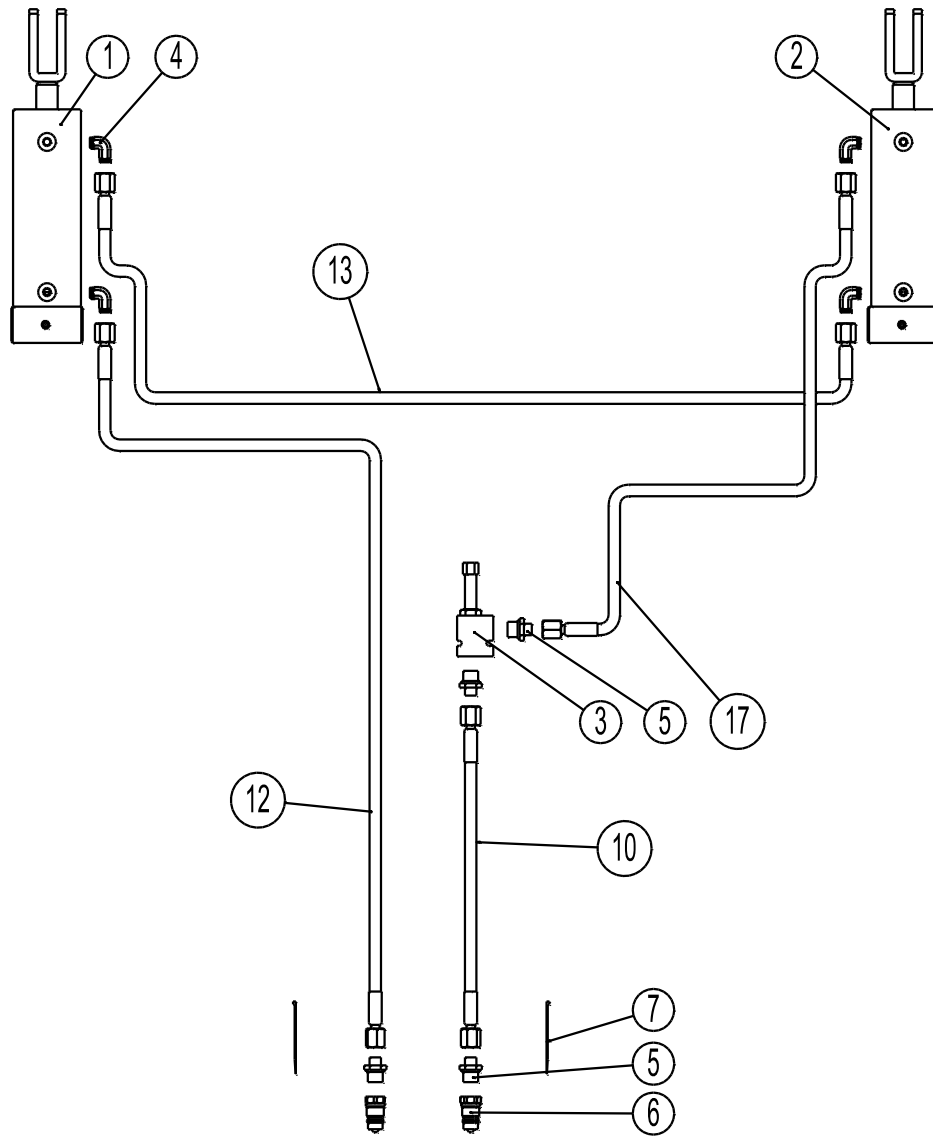
Attention regarding pos. 8 & 9: When ordering a sequence valve the predicted adjusted pressure must be enlightened:
 Pos. 8 → 150 bar
 Pos. 9 → 50 bar



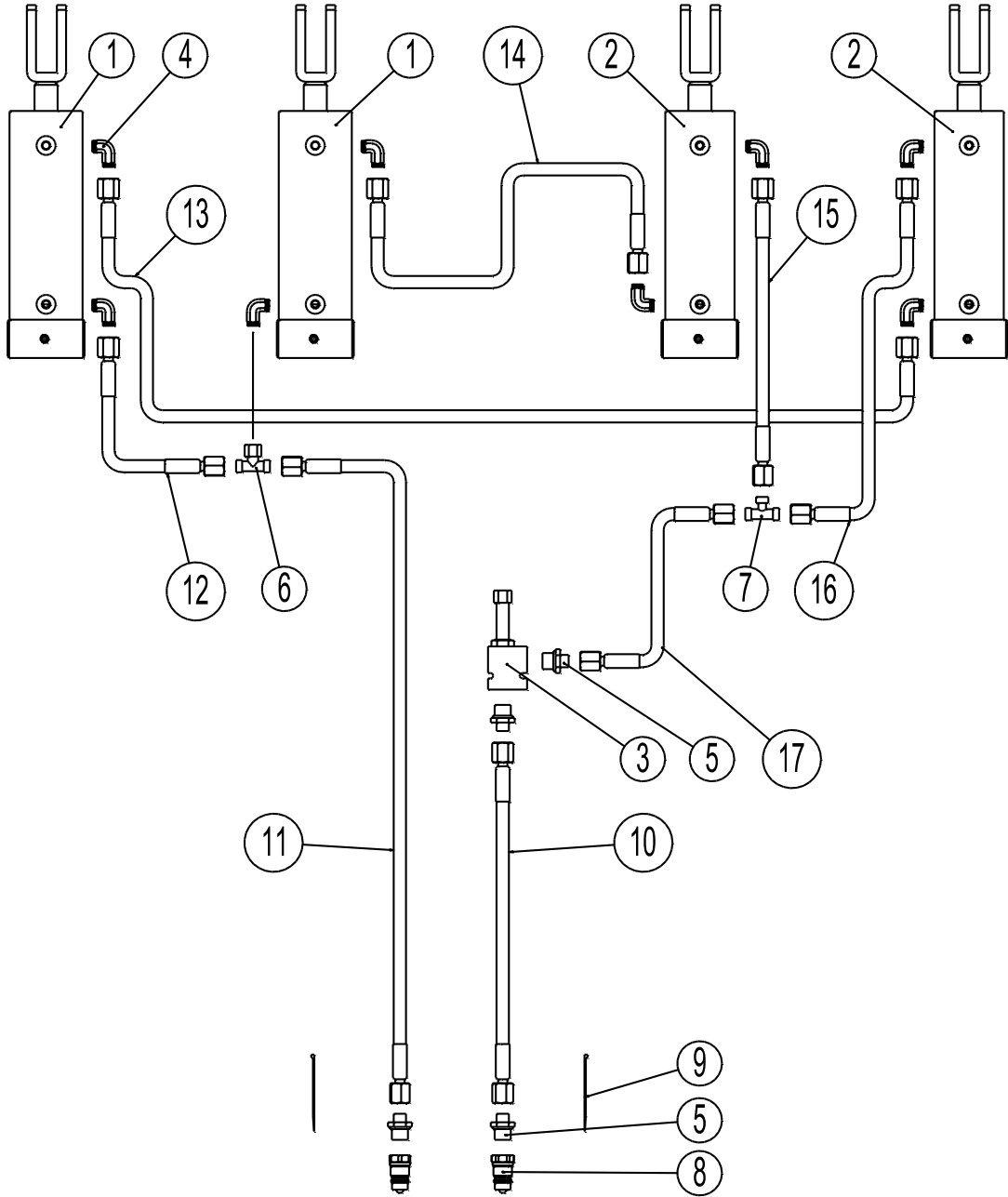
Pos.	Item no.	Designation	4,5 m	5,5 m
1	690200252	Cylinder 90/40 x 600 Ø40	2	4
1a	690200296	Gasket set 90/40 (Hydraflex)		
2	690200170	Cylinder 40/25 x 80	1	1
2a	690200175	Gasket set 40/25 mm		
3	690206510	Accumulator HST 2,3 L 40 bar	1	1
4	690206410	Accumulator HST 1,4 L 40 bar	2	2
5	690203096	Fitting straight M18x1,5 x Ø10	3	3
6	690206822	Manometer 250 bar, Ø100	1	1
7	690206823	Manometer-fitting Ø10 - ½"	1	1
8	0442642	Sequense valve OMV642 Set to 150 bar	1	1
9	0442642	Sequense valve OMV642 Set to 50 bar	1	1
10	0442775	Flow divider 3/8" 50/50 10-20 l/min	1	1
11	690203016	Fitting 90° adjustable 10 mm	3	3
12	690203120	Fitting adjustable T10 L premounted w/O-ring	8	8
13	0446751	Fitting straight Ø10 - 3/8"	7	7
14	690203015	Fitting connector T10	1	1
15	690203006	Fitting 90° 10 – 3/8" BSP	9	9
16	690203003	Fitting straight 10- ½" BSP	2	2
17	690203001	Quickkobling male E402 ½"	2	2
18		Straps	2	2
19	0454313	Hydraulic hose 1130 mm 1/4" st/st	1	1
20	0454313	Hydraulic hose 1130 mm 1/4" st/st	1	1
21	0454313	Hydraulic hose 1130 mm 1/4" st/st	1	1
22	0454313	Hydraulic hose 1130 mm 1/4" st/st	1	1
23	690201047	Hydraulic hose 4610 mm 1/4" st/st	2	2
24	690201053	Hydraulic hose 1260 mm 1/4" st/st	2	2
25	690201063	Hydraulic hose 1600 mm 1/4" st/st	2	2
26	690201016	Hydraulic hose 1850 mm 1/4" st/st	2	2
27	690201060	Hydraulic hose 3000 mm 1/4" st/st	1	1
28	690201022	Hydraulic hose 3140 mm 1/4" st/st	1	1
29	690201009	Hydraulic hose 355 mm 1/4" st/st	1	1
30	690201069	Hydraulic hose 450 mm 1/4" st/st	1	1



Depth controller discs 4,5 meter



Depth controller discs 5,5 meter



Pos.	Item no.	Designation	4,5 m	5,5 m
1	690200640	Cylinder 85/30 x 155 Ø30 rod end-clevis	1	2
1a	690200641	Gasket set 85/30		
2	690200620	Cylinder 80/30 x 155 Ø30 rod end-clevis	1	2
1a	690200621	Gasket set 80/30		
3	690209453	Depth stop valve, electric w/3 x Ø1/2" inside.	1	1
4	690203006	Fitting 90° 10-3/8" BSP	4	8
5	0446752	Fitting straight Ø10-1/2"	4	4
6	690203014	Fitting T10 L premounted w/ O-ring	-	1
7	690203015	Fitting T10	-	1
8	0444020	Quickcoupling 1/2" male	2	2
9	-	Cable straps	2	2
10	690201028	Hydraulic hose 1/4" L = 6700 mm (non depth stop)	1	-
10	690201074	Hydraulic hose 1/4" L = 4950 mm (with depth stop)	1	-
10	690201076	Hydraulic hose 1/4" L = 6000 mm (non depth stop)	-	1
10	690201074	Hydraulic hose 1/4" L = 4950 mm (with depth stop)	-	1
11	690201076	Hydraulic hose 1/4" L = 6000 mm	-	1
12	690201073	Hydraulic hose 1/4" L = 6700 mm	1	-
12	690201044	Hydraulic hose 1/4" L = 1260 mm	-	1
12	690201038	Hydraulic hose 1/4" L = 1770 mm	-	-
13	690201038	Hydraulic hose 1/4" L = 4000 mm	1	-
13	690201011	Hydraulic hose 1/4" L = 5350 mm	-	1
13	690201031	Hydraulic hose 1/4" L = 6350 mm	-	1
14	690201070	Hydraulic hose 1/4" L = 2800 mm	-	1
15	0454120	Hydraulic hose 1/4" L = 250 mm	-	1
16	0554441	Hydraulic hose 1/4" L = 1460 mm	-	1
16	0454591	Hydraulic hose 1/4" L = 2000 mm	-	-
17	0454313	Hydraulic hose 1/4" L = 1130 mm (non depth stop)	-	1
17	0454578	Hydraulic hose 1/4" L = 1995 mm (with depth stop)	1	-



GOOD AS IT LOOKS!

AS GOOD AS IT LOOKS!

AS GOOD AS IT LOOKS!

AS GOOD AS IT LOOKS!

AS GOOD AS



The design is subject to modification without noticefmo