

HE-VA

Rondo-Dan

Multi-Purpose Round Bale Unwinder



 HE-VA

Dust-free and gentle treatment of straw, hay and silage

The three-point mounted round bale unwinder Rondo-Dan is ideal for round bales of: straw, hay, silage and similar material.



Rondo-Dan is, among other things, the optimal solution for:

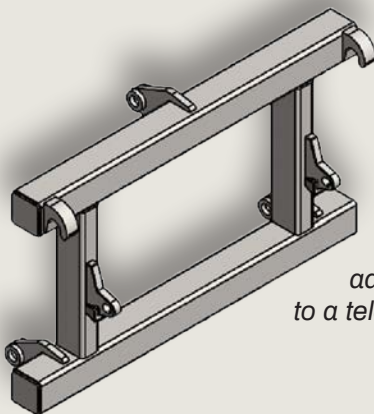
- Feeding in fed aisles, where it is possible to drive a tractor.
- Feeding outside on pastures.
- For bedding with straw in deep bedding stables
- Rough laying of straw in chicken houses and between vegetable crops.



The machine is equipped with two integrated spears. These can be used to handle and load the bale onto the unwind table without the driver having to leave the tractor seat. The spears are then backed into engagement with the machine whereby the transmission is automatically engaged.

Rondo-Dan is available in three models:

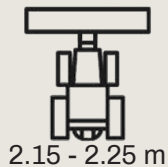
- **Model H** Unwinding to the right
- **Model V** Unwinding to the left
- **Model H+V** Unwinding to the right or left



Rondo-Dan can be equipped with an adapter, with which it can be connected to different machines.

Here you can see an adapter for connection to a telescopic loader.

Technical Specifications



Model	Unwinding Direction	Work Width, m	Length, m	Weight, kg	Lifting Requirement, kg	Max. Weight of Bale, kg	Max. Bale Diameter, m	Max. Bale Width, m
Model H	Right	2,15	2,00	577	1.100	850	1,80	1,50
Model V	Left	2,15	2,00	577	1.100	850	1,80	1,50
Model H+V	Right + Left	2,25	2,00	660	1.200	850	1,80	1,50



Tel.: +45 97 72 42 88
E-mail: info@he-va.com

Web: www.he-va.com

N.A. Christensensvej 34
DK-7900 Nykøbing Mors

Your HE-VA dealer

HE-VA reserves the right to make design and construction changes without notice

