

PENTA-TILLER



- Optimal clearance.
- Depth control via depth wheels - 0-15 cm working depth.
- 57 cm frame height / 50 cm bar spacing / 70 cm tine spacing / 14 cm row spacing.
- 70x12 mm tines.
- Supplied with either 180 mm goose foot points or 52 mm reversible wear points.
- Three-point linkage with category 3 pins and category 2 distance.

MACHINES

| Work Width, m | Point Type | No. of Tines | Power Req., HP | Lifting Req., kg | Transport Width, m | Weight, kg | Item Number |
|------------------------------------|------------------------------|------------------|----------------|------------------|--------------------|------------|-------------|
| 1-SECTION, RIGID MODELS | | | | | | | |
| 3.00 | Goose foot point, 180 mm | 21 | 70 - 120 | 2,450 | 3.00 | 1,360 | 4600031 |
| 3.00 | Reversible wear point, 52 mm | 21 | 70 - 120 | 2,450 | 3.00 | 1,360 | 4600030 |
| 3.50 | Goose foot point, 180 mm | 25 | 80 - 150 | 2,650 | 3.50 | 1,470 | 4600036 |
| 3.50 | Reversible wear point, 52 mm | 25 | 80 - 150 | 2,650 | 3.50 | 1,470 | 4600035 |
| 4.00 | Goose foot point, 180 mm | 27 | 90 - 180 | 2,850 | 4.00 | 1,580 | 4600041 |
| 4.00 | Reversible wear point, 52 mm | 27 | 90 - 180 | 2,850 | 4.00 | 1,580 | 4600040 |
| 2-SECTION, HYDRAULIC MODELS | | | | | | | |
| 4.00 | Goose foot point, 180 mm | ^{1*} 26 | 90 - 180 | 4,020 | 2.48 | 2,230 | 4600043 |
| 4.00 | Reversible wear point, 52 mm | ^{1*} 26 | 90 - 180 | 4,020 | 2.48 | 2,230 | 4600042 |
| 5.00 | Goose foot point, 180 mm | ^{1*} 32 | 110 - 220 | 4,220 | 2.48 | 2,340 | 4600051 |
| 5.00 | Reversible wear point, 52 mm | ^{1*} 32 | 110 - 220 | 4,220 | 2.48 | 2,340 | 4600050 |
| 6.00 | Goose foot point, 180 mm | ^{1*} 40 | 130 - 240 | 4,410 | 2.48 | 2,450 | 4600061 |
| 6.00 | Reversible wear point, 52 mm | ^{1*} 40 | 130 - 240 | 4,410 | 2.48 | 2,450 | 4600060 |
| 7.00 | Goose foot point, 180 mm | ^{1*} 46 | 150 - 260 | 4,550 | 2.48 | 2,560 | 4600071 |
| 7.00 | Reversible wear point, 52 mm | ^{1*} 46 | 150 - 260 | 4,550 | 2.48 | 2,560 | 4600070 |

^{1*}Requires 1 double-acting oil outlet.

STANDARD EQUIPMENT

- 180 mm. goose foot points or 52 mm. reversible wear point.
- Automatic transport locks – hydraulically operated with folding function (only foldable models).
- Wheels:
 - 3.00 - 4.00 m, rigid 1-section: 2 pcs. 200/60 x 14.5 – 10 PLY.
 - 4.00 - 7.00 m, 2-section w/hydr. folding: 4 pcs. 200/60 x 14.5 – 10 PLY.

EXTRA EQUIPMENT

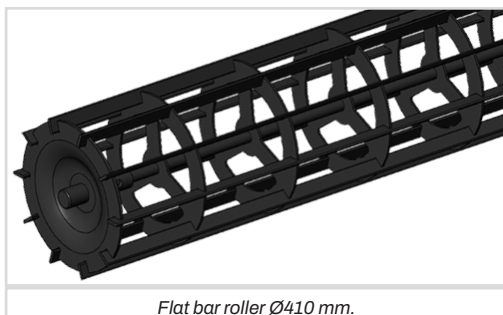
| Work Width, m | Description | Weight, kg | Item Number |
|---------------|--|------------|-------------|
| 3.00 - 4.00 | LED lights with wire and socket, mounted on rigid models | 3 | 4519510 |
| 4.00 - 7.00 | LED lights with wire and socket, mounted on 2-section-models | 3 | 4519515 |
| 3.00 - 7.00 | Extra set of points - goose foot point 180 mm (Additional price per meter) | - | 4600200 |
| 3.00 - 7.00 | Extra set of points - reversible wear point 52 mm (Additional price per meter) | - | 4600201 |
| 3.00 - 7.00 | Auxiliary spring for 70x12 mm tine (Additional price per meter) | - | 4600210 |

EXTRA EQUIPMENT (CONTINUED)

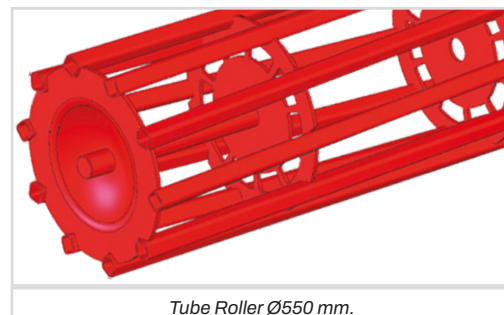
| Work Width, m | Type | Description | Item Number |
|---------------|----------|--|-------------|
| 3.00 | Rigid | Longfinger afterharrow | 4600130 |
| 3.00 | Rigid | Longfinger afterharrow with double tine row, individual depth adjustment | 4600140 |
| 3.00 | Rigid | Flat bar roller Ø410 mm | 4600100 |
| 3.00 | Rigid | Tube Roller Ø550 mm | 4600105 |
| 3.00 | Rigid | Longfinger afterharrow, single tine row after roller | 3401904 |
| 3.00 | Rigid | Top-Cutter with single knife roller for mounting between tractor and harrow. | 4600110 |
| 3.00 | Rigid | Spring-Board with spring tines for mounting between tractor and harrow. | 4600120 |
| 3.50 | Rigid | Longfinger afterharrow | 4600131 |
| 3.50 | Rigid | Longfinger afterharrow with double tine row, individual depth adjustment | 4600141 |
| 3.50 | Rigid | Flat bar roller Ø410 mm | 4600099 |
| 3.50 | Rigid | Tube Roller Ø550 mm | 4600102 |
| 3.50 | Rigid | Longfinger afterharrow, single tine row after roller | 3401906 |
| 3.50 | Rigid | Top-Cutter with single knife roller for mounting between tractor and harrow. | 4600111 |
| 3.50 | Rigid | Spring-Board with spring tines for mounting between tractor and harrow. | 4600121 |
| 4.00 | Rigid | Longfinger afterharrow | 4600132 |
| 4.00 | Rigid | Longfinger afterharrow with double tine row, individual depth adjustment | 4600142 |
| 4.00 | Rigid | Flat bar roller Ø410 mm | 4600098 |
| 4.00 | Rigid | Tube Roller Ø550 mm | 4600103 |
| 4.00 | Rigid | Longfinger afterharrow, single tine row after roller | 3401908 |
| 4.00 | Rigid | Top-Cutter with single knife roller for mounting between tractor and harrow. | 4600112 |
| 4.00 | Rigid | Spring-Board with spring tines for mounting between tractor and harrow. | 4600122 |
| 4.00 | Foldable | Longfinger afterharrow | 4600133 |
| 4.00 | Foldable | Longfinger afterharrow with double tine row, individual depth adjustment | 4600143 |
| 4.00 | Foldable | Flat bar roller Ø410 mm | 4600101 |
| 4.00 | Foldable | Tube Roller Ø550 mm | 4600106 |
| 4.00 | Foldable | Longfinger afterharrow, single tine row after roller | 3401910 |
| 4.00 | Foldable | Top-Cutter with single knife roller for mounting between tractor and harrow. | 4600113 |
| 4.00 | Foldable | Spring-Board with spring tines for mounting between tractor and harrow. | 4600123 |
| 5.00 | Foldable | Longfinger afterharrow | 4600134 |
| 5.00 | Foldable | Longfinger afterharrow with double tine row, individual depth adjustment | 4600144 |
| 5.00 | Foldable | Flat bar roller Ø410 mm | 4600097 |
| 5.00 | Foldable | Tube Roller Ø550 mm | 4600104 |
| 5.00 | Foldable | Longfinger afterharrow, single tine row after roller | 3401912 |
| 5.00 | Foldable | Top-Cutter with single knife roller for mounting between tractor and harrow. | 4600114 |
| 5.00 | Foldable | Spring-Board with spring tines for mounting between tractor and harrow. | 4600124 |
| 6.00 | Foldable | Longfinger afterharrow | 4600135 |
| 6.00 | Foldable | Longfinger afterharrow with double tine row, individual depth adjustment | 4600145 |
| 6.00 | Foldable | Flat bar roller Ø410 mm | 4600096 |
| 6.00 | Foldable | Tube Roller Ø550 mm | 4600107 |
| 6.00 | Foldable | Longfinger afterharrow, single tine row after roller | 3401914 |
| 6.00 | Foldable | Top-Cutter with single knife roller for mounting between tractor and harrow. | 4600115 |
| 6.00 | Foldable | Spring-Board with spring tines for mounting between tractor and harrow. | 4600125 |
| 7.00 | Foldable | Longfinger afterharrow | 4600136 |
| 7.00 | Foldable | Longfinger afterharrow with double tine row, individual depth adjustment | 4600146 |
| 7.00 | Foldable | Flat bar roller Ø410 mm | 4600095 |
| 7.00 | Foldable | Tube Roller Ø550 mm | 4600108 |
| 7.00 | Foldable | Longfinger afterharrow, single tine row after roller | 3401916 |
| 7.00 | Foldable | Top-Cutter with single knife roller for mounting between tractor and harrow. | 4600116 |
| 7.00 | Foldable | Spring-Board with spring tines for mounting between tractor and harrow. | 4600126 |



Individual depth adjustment.



Flat bar roller Ø410 mm.



Tube Roller Ø550 mm.

MOUNTING SET FOR MULTI-SEEDER INCL. MOUNTING ON NEW PENTA-TILLER - MAX. 300 KG LOAD IN FINE SEED HOPPER. PRICES AND INFO ON MULTI-SEEDER

| Work Width, m | Type | Description | Item Number - 8 Outlets |
|---------------|----------|-------------------------------|-------------------------|
| 3.00 - 4.00 | Rigid | Mounting set for Multi-Seeder | 4509930 |
| 4.00 - 7.00 | Foldable | Mounting set for Multi-Seeder | 4509940 |